



ACCESS TRUCK PARTS

Find us on
SmartEquip
Be Ready.



SOLUTIONS CATALOG

8TH EDITION

QUALITY PARTS & SOLUTIONS

Access Truck Parts is "Your One Stop Water Truck Parts Solution". Our comprehensive inventory features replacement parts for all brands and manufacturers of water trucks, water towers, and mine tankers. No matter what industry you're in or brand of equipment you use, we stock the replacement parts you need to stay up and running.

With over 30 years of industry experience, we offer in-depth knowledge of water pumps, control valves, spray heads, hose reels, or any other water truck parts you may encounter. Our extensive international vendor network and manufacturing capabilities allow us to provide these high quality parts at the best available pricing the market has to offer.

We hope you find this catalog a valuable resource and reference tool to help you find the parts you need to keep your water trucks and other equipment in optimum working condition. Just like our website, this catalog is divided into categories to help you find replacement parts quickly.

See the Table of Contents on the following page or simply browse through the catalog to see the diversity of parts we offer. You may find additional products that would enhance the performance of your equipment.

WAYS TO ORDER YOUR PARTS:

Online: acesstruckparts.com

Email: sales@acesstruckparts.com

Phone: 602-437-6948



Find us online!



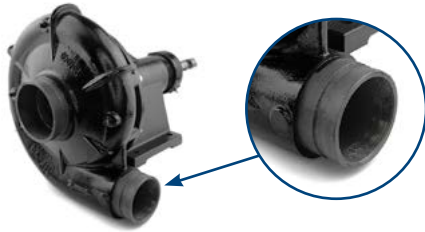
ACESSTRUCKPARTS

| | | | |
|--|-----------|---|-----------|
| WATER PUMPS..... | 3 | Groove Nipples | 25 |
| B3Z Rope Seal Pump..... | 3 | Groove Reducers..... | 25 |
| B3Z Mechanical Seal Pump..... | 4 | Other Nipples..... | 25 |
| B3Z Heavy Duty Rope Seal Pump..... | 5 | Elbows | 26 |
| B3Z Hydraulic Frame Pump..... | 6 | Couplings / Reducers | 26 |
| B3Z SAE B Hydraulic Frame Pump..... | 7 | Tees | 26 |
| B3ZQ-S SAE 5 Mechanical Seal Engine Mount Pump..... | 8 | CAMLOCKS..... | 27 |
| B4Z Self-Priming Pump | 9 | RAASM LUBE & FUEL..... | 28 |
| B3J Mechanical Seal High Pressure Pump..... | 10 | WATER CANNONS & TANK HARDWARE..... | 29 |
| B4J 5 x 4 Mechanical Seal Pump (Splined)..... | 11 | The Tempest 12V/24V Water Cannon..... | 29 |
| B4J 5 x 4 Rope Seal Pump (Keyed) | 12 | Tempest Cannon Parts Diagram | 30 |
| B6Z High Volume Pump..... | 13 | Tempest Cannon Parts | 31 |
| Stainless Steel 4 x 3 Mechanical Seal Pump (Potable) | 14 | Tank Hardware..... | 31 |
| IN-LINE CONTROL VALVES | 15 | Hydraulics..... | 31 |
| Air Operated | 15 | Manual Cannons | 32 |
| Hydraulic..... | 15 | Cannon Nozzles..... | 32 |
| Manual Valves..... | 15 | Brush Hawk Electric Water Cannon | 32 |
| FRONT & REAR SPRAY HEADS | 16 | Nitro Electric Water Cannon | 32 |
| Deflector Type Spray Heads | 16 | STANDARD PLUMBING LAYOUT | 33 |
| Air Operated Spray Head Valves..... | 16 | PLUMBING INFORMATION | 34 |
| Hydraulic..... | 16 | CAB CONTROLS | 35 |
| SIDE SPRAY HEADS..... | 17 | Air Control Panels..... | 35 |
| 5" x ¼" Slot Fin Side Spray | 17 | Control Switches..... | 35 |
| 7" Slot Duckbill Side Spray | 17 | Manual Controls & Cables | 35 |
| 5" Slot Duckbill Side Spray | 17 | AIR & OTHER FITTINGS | 36 |
| 90° Side Spray..... | 18 | Air Hose Fittings | 36 |
| Side Spray Head..... | 18 | Quick Exhaust Valves | 36 |
| Street Flusher | 18 | Air Cylinders | 36 |
| SPRAY HEAD KITS | 19 | Misc Fittings | 36 |
| Diaphragm Valve Assemblies | 19 | HOSES & NOZZLES..... | 37 |
| Threaded CLA Style Valve Assemblies..... | 19 | Hose..... | 37 |
| Tee Valve Assemblies | 20 | Nozzles..... | 37 |
| Grooved Spray Head Assembly | 20 | Hose Clamps | 37 |
| VALVE REBUILD KITS | 21 | Hand Primers | 37 |
| 3" Grooved Spray Head Valve Rebuild Kit | 21 | Strainer / Foot Valve | 37 |
| 3" Heavy Duty Spray Head Valve Rebuild Kit..... | 21 | Hydrant Tools | 37 |
| 3" Grooved Tee Valve Rebuild Kit..... | 21 | HOSE REELS..... | 38 |
| Threaded CLA Style Valve Rebuild Kit..... | 22 | Hose Reel Kits..... | 38 |
| 3" Grooved Normally Closed Inline Valve Rebuild Kit..... | 22 | Electric Rewind Reels | 38 |
| 3" Dome Diaphragm Valve Rebuild Kit | 22 | ATP Leak Free NPT Swivel Hose Reel..... | 38 |
| 3" Threaded Vawew Style Spray Head Rebuild Kit..... | 22 | Hose Reel Parts | 38 |
| AGM Style Valve Rebuild Kit..... | 22 | GENERAL PUMP INFORMATION | 39 |
| F/E Valve Rebuild Kit..... | 22 | PUMP MAINTENANCE SCHEDULE | 40 |
| GROOVE COUPLINGS | 23 | PUMP PERFORMANCE CURVES | 41 |
| Coupling Variations | 23 | ATP Notes..... | 43 |
| FITTINGS..... | 24 | POWERX INTERNATIONAL..... | 45 |
| Groove Elbows..... | 24 | SUMMIT HYDRAULICS..... | 46 |
| Swivels | 24 | | |
| Groove Tees, Cross & Caps..... | 24 | | |

NEED PUMP SELECTION HELP? SEE PAGE 39

B3Z ROPE SEAL PUMP

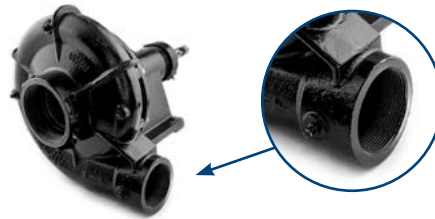
COMPLETE WATER PUMP Grooved, Rope Seal



107-B66899 Shown Here

| TYPE | SKU |
|----------------------|------------|
| CW B3Z Grooved Pump | 107-B66899 |
| CCW B3Z Grooved Pump | 107-B66895 |

COMPLETE WATER PUMP Threaded, Rope Seal



104-B66161 Shown Here

| TYPE | SKU |
|-----------------------|------------|
| CW B3Z Threaded Pump | 104-B66161 |
| CCW B3Z Threaded Pump | 104-B66168 |

ROPE SEAL POWER FRAME Everything but the Volute



103-B85552 Shown Here

| TYPE | SKU |
|---------------------|------------|
| CW B3Z Power Frame | 103-B85552 |
| CCW B3Z Power Frame | 103-B85551 |

IMPELLER Cast Iron, Threaded



Clockwise (CW) Counterclockwise (CCW)

| TYPE | SKU |
|------------------|------------|
| CW B3Z Impeller | 112-M02153 |
| CCW B3Z Impeller | 112-M02181 |

KEYED SHAFT KIT Shaft, Bearings, Sleeve, Locknut & Keyway



| TYPE | SKU |
|-------------------|------------|
| CW B3Z Shaft Kit | 111-B80698 |
| CCW B3Z Shaft Kit | 111-B80696 |

COMPLETE REBUILD KIT All Internal Replacement Parts

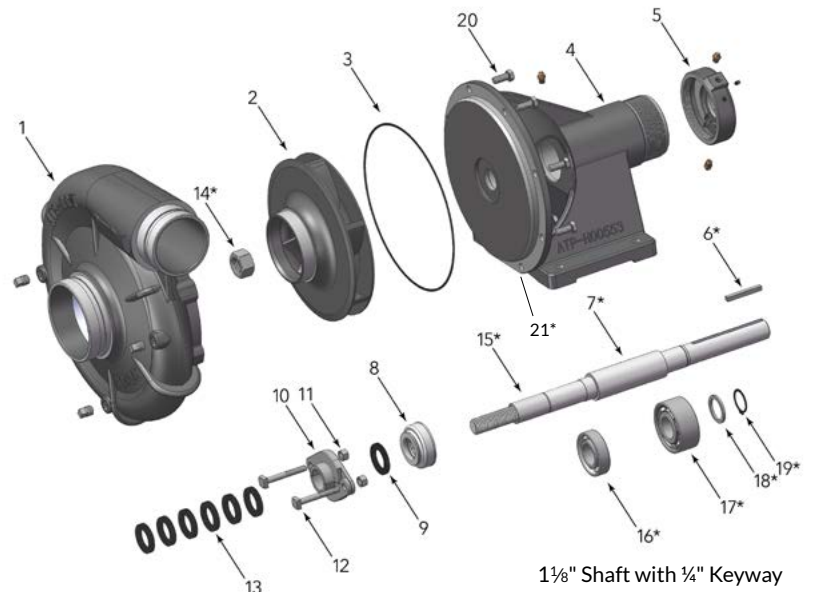


| TYPE | SKU |
|-------------------------------|----------|
| CW B3Z Rope Seal Rebuild Kit | 1011-RP0 |
| CCW B3Z Rope Seal Rebuild Kit | 1011-RP1 |

ALL COMPONENTS

| PART NAME | SKU |
|---|------------|
| 1 Volute Case, Grooved, CW | 113-H04040 |
| 1 Volute Case, Grooved, CCW | 113-H04041 |
| 1 Volute Case, Thread, CW | 113-H00689 |
| 1 Volute Case, Thread, CCW | 113-H00698 |
| 2 Impeller, CW | 112-M02153 |
| 2 Impeller, CCW | 112-M02181 |
| 3 Volute Gasket | 116-S05126 |
| 3a Volute O-Ring | 116-M14943 |
| (*Pump accepts either O-Ring or Gasket) | |
| 4 Pump Frame, Rope Seal | 114-H00553 |
| 5 Outer Bearing Cap | 116-S19914 |
| *6 1/8" Key Way | 116-S24255 |
| *7 Shaft Kit, CW | 111-B80698 |
| *7 Shaft Kit, CCW | 111-B80696 |
| 8 Inner Bearing Cap | 116-S19033 |
| 9 Water Slinger | 116-S12260 |
| 10 Split Packing Gland | 116-B82468 |
| 11 Nut, 3/8"-16 (2 Req) | 116-S23343 |
| 12 Bolt, Sq Head 3/8"-16 x 2 1/2" | 116-S23762 |
| 13 Rope Packing (Set of 6) | 116-S14022 |
| *14 Impeller Lock Nut (CCW) | 116-U36189 |
| *14 Impeller Lock Nut (CW) | 116-M10220 |
| *15 Shaft Sleeve (For Rope & Mech) | 116-S39242 |
| *16 Ball Bearing | 116-S13270 |
| *17 Ball Bearing | 116-S13271 |
| *18 Thrust Ring | 116-S29218 |
| *19 Retaining Snap Ring | 116-S23010 |
| *20 Capscrew (B3Z) 3/8-16 by 1" (6 Required) | 116-S26826 |
| *21 Capscrew (B4Z) 3/8-16x1-1/4" (2 Required) | 116-S26828 |

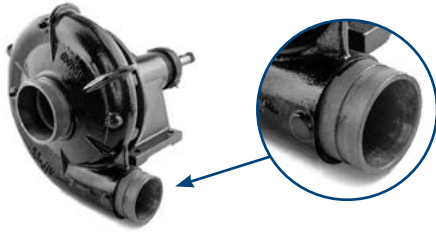
* Items included in shaft kit



Scan Here for Pump Selector!

B3Z MECHANICAL SEAL PUMP

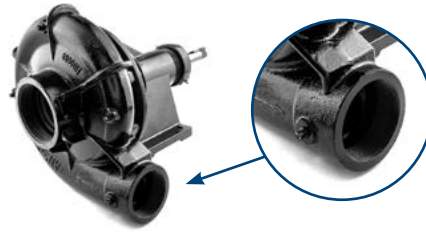
COMPLETE WATER PUMP Grooved, Mechanical Seal



107-B68417 Shown Here

| TYPE | SKU |
|----------------------|------------|
| CW B3Z Grooved Pump | 107-B68417 |
| CCW B3Z Grooved Pump | 107-B68416 |

COMPLETE WATER PUMP Threaded, Mechanical Seal



108-B68414 Shown Here

| TYPE | SKU |
|-----------------------|------------|
| CW B3Z Threaded Pump | 108-B68414 |
| CCW B3Z Threaded Pump | 108-B68415 |

MECH SEAL POWER FRAME Everything but the Volute



103-B85550 Shown Here

| TYPE | SKU |
|---------------------|------------|
| CW B3Z Power Frame | 103-B85550 |
| CCW B3Z Power Frame | 103-B85549 |

IMPELLER Cast Iron, Threaded



Clockwise (CW) Counterclockwise (CCW)

| TYPE | SKU |
|------------------|------------|
| CW B3Z Impeller | 112-M02153 |
| CCW B3Z Impeller | 112-M02181 |

KEYED SHAFT KIT Shaft, Bearings, Sleeve, Locknut & Keyway



| TYPE | SKU |
|-------------------|------------|
| CW B3Z Shaft Kit | 111-B80698 |
| CCW B3Z Shaft Kit | 111-B80696 |

COMPLETE REBUILD KIT All Internal Replacement Parts

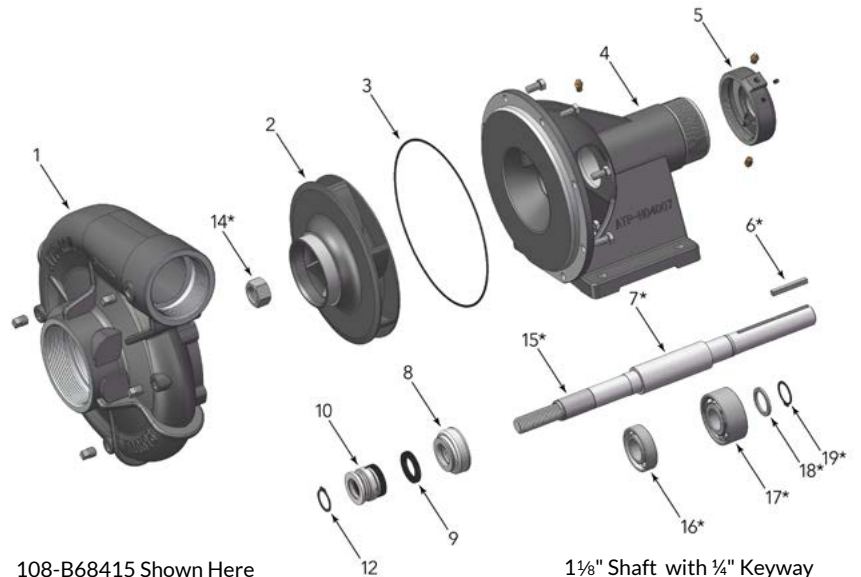


| TYPE | SKU |
|-------------------------------|----------|
| CW B3Z Mech Seal Rebuild Kit | 1011-MS0 |
| CCW B3Z Mech Seal Rebuild Kit | 1011-MS1 |

ALL COMPONENTS

| PART NAME | SKU |
|--|------------|
| 1 Volute Case, Grooved, CW | 113-H04040 |
| Volute Case, Grooved, CCW | 113-H04041 |
| Volute Case, Thread, CW | 113-H00689 |
| Volute Case, Thread, CCW | 113-H00698 |
| 2 Impeller, CW | 112-M02153 |
| Impeller, CCW | 112-M02181 |
| 3 Volute Gasket | 116-S05126 |
| 3a Volute O-Ring | 116-M14943 |
| (*Pump accept either O-Ring or Gasket) | |
| 4 Pump Frame, Mechanical Seal | 114-H04007 |
| 5 Outer Bearing Cap | 116-S19914 |
| *6 1/4" Key Way | 116-S24255 |
| *7 Shaft Kit, CW | 111-B80698 |
| *7 Shaft Kit, CCW | 111-B80696 |
| 8 Inner Bearing Cap | 116-S19033 |
| 9 Water Slinger | 116-S12260 |
| 10 Mechanical Seal | 116-S32690 |
| *12 Retaining Ring | 116-S23009 |
| *14 Impeller Lock Nut (CCW) | 116-U36189 |
| *14 Impeller Lock Nut (CW) | 116-M10220 |
| *15 Shaft Sleeve (For Rope & Mech) | 116-S39242 |
| *16 Ball Bearing | 116-S13270 |
| *17 Ball Bearing | 116-S13271 |
| *18 Thrust Ring | 116-S29218 |
| *19 Retaining Snap Ring | 116-S23010 |

* Items included in shaft kit



108-B68415 Shown Here

1 1/8" Shaft with 1/4" Keyway

WATER PUMPS

B3Z HEAVY DUTY ROPE SEAL PUMP

COMPLETE WATER PUMP CW, Threaded, Rope Seal



| TYPE | SKU |
|-------------------------|------------|
| CW B3Z-HD Threaded Pump | 101-B86070 |

COMPLETE WATER PUMP CCW, Threaded, Rope Seal



| TYPE | SKU |
|--------------------------|------------|
| CCW B3Z-HD Threaded Pump | 101-B85874 |

HD ROPE SEAL POWER FRAME Everything but the Volute



103-B86070 Shown Here

| TYPE | SKU |
|------------------------|------------|
| CW B3Z-HD Power Frame | 103-B86070 |
| CCW B3Z-HD Power Frame | 103-B85874 |

IMPELLER Cast Iron, Keyed



Clockwise (CW) Counterclockwise (CCW)

| TYPE | SKU |
|---------------------|------------|
| CW B3Z-HD Impeller | 112-M14994 |
| CCW B3Z-HD Impeller | 112-M14989 |

HD KEYED SHAFT KIT Shaft, Bearings, Sleeve, Locknut & Keyway



| TYPE | SKU |
|----------------------|------------|
| CW B3Z-HD Shaft Kit | 111-B85585 |
| CCW B3Z-HD Shaft Kit | 111-B85916 |

COMPLETE REBUILD KIT All Internal Replacement Parts



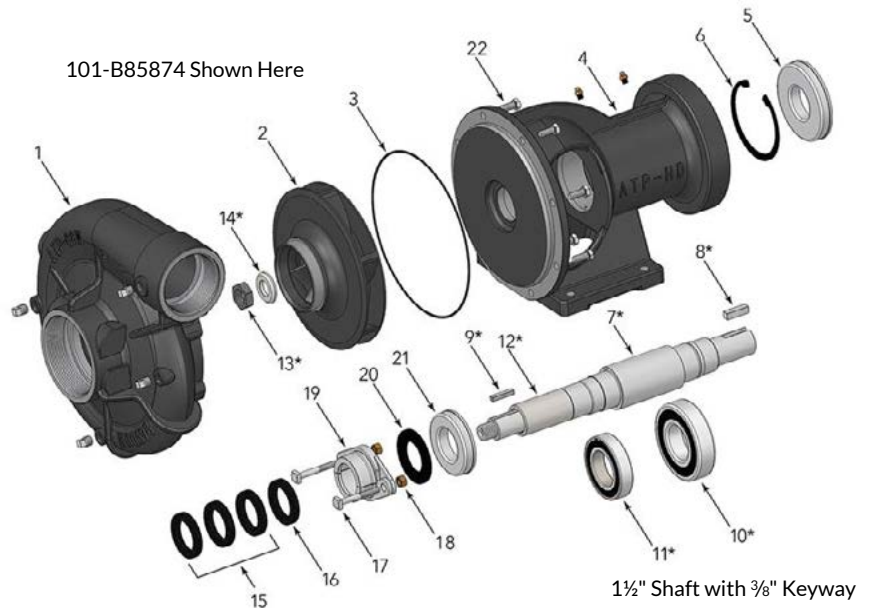
| TYPE | SKU |
|----------------------------------|------------|
| CW B3Z-HD Rope Seal Rebuild Kit | 1011-RPHD0 |
| CCW B3Z-HD Rope Seal Rebuild Kit | 1011-RPHD1 |

ALL COMPONENTS

| PART NAME | SKU |
|---|------------|
| 1 Volute Case, Thread, CW | 113-H00689 |
| Volute Case, Thread, CCW | 113-H00698 |
| 2 Keyed Impeller, CW | 112-M14994 |
| Keyed Impeller, CCW | 112-M14989 |
| 3 Volute Gasket | 116-S05126 |
| 3a Volute O-Ring | 116-M14943 |
| (*Pump accept either O-Ring or Gasket) | |
| 4 Pump Bearing Frame (Bracket) | 114-M15690 |
| 5 Outer Bearing Cap | 116-M14996 |
| *6 Retaining Ring | 116-S23025 |
| *7 Shaft Kit, CW | 111-B85585 |
| *7 Shaft Kit, CCW | 111-B85916 |
| *8 Key, 3/8" x 3/8" x 1-3/8" | 116-M15001 |
| *9 Key, 1/4" x 1/4" | 116-S23505 |
| *10 Ball Bearing | 116-M14999 |
| *11 Ball Bearing | 116-M14998 |
| *12 Shaft Sleeve | 116-M14993 |
| *13 Impeller Lock Nut (CCW) | 116-U36189 |
| *13 Impeller Lock Nut (CW) | 116-M10220 |
| *14 Lock Washer | 116-M14990 |
| 15 Rope Packing Ring (Set of 3) | 116-S08291 |
| 16 Packing Ring, Metallic | 116-S11092 |
| 17 Bolt, Sq Head 3/8"-16 x 2 1/2" (2 Req) | 116-S23762 |
| 18 Nut, 3/8"-16 (2 Req) | 116-S23343 |
| 19 Packing Gland, Split | 116-B82470 |
| 20 Water Slinger | 116-S10964 |
| 21 Inner Bearing Cap | 116-M14997 |
| 22 Capscrew, Hex 3/8"-16 x 7/8" | 116-S26825 |

* Items included in shaft kit

101-B85874 Shown Here



1 1/2" Shaft with 3/8" Keyway



Scan Here for Pump Selector!

ACCESS TRUCK PARTS

NEED PUMP SELECTION HELP? SEE PAGE 39

B3Z HYDRAULIC FRAME PUMP

COMPLETE WATER PUMP
CW, Threaded, Hydraulic Frame



| TYPE | SKU |
|-----------------------------|------------|
| CW B3Z Hydraulic Frame Pump | 101-B69875 |

SPLINED SHAFT KIT
Shaft, Bearings, Sleeve & Locknut



| TYPE | SKU |
|--------------------------|--------------|
| CW B3Z Splined Shaft Kit | 111-B73052-3 |

IMPELLER
Cast Iron, Threaded



Clockwise (CW)

| TYPE | SKU |
|-----------------|------------|
| CW B3Z Impeller | 112-M02153 |

HYDRAULIC POWER FRAME
Everything but the Volute



| TYPE | SKU |
|------------------------|------------|
| CW B3Z Hyd Power Frame | 103-B69875 |



101-B69875 Pump shown here on an 8,000 Gallon, Volvo A40G Tank System
Manufactured by Tidal Wave Tanks, Mulberry Florida

ALL COMPONENTS

| PART NAME | SKU |
|------------------------------|------------|
| 1 Volute Case, Thread, CW | 113-H00689 |
| † 2 Impeller, CW | 112-M02153 |
| 3 Frame, Hydraulic Mount | 114-H05119 |
| † 4 Shaft Kit, CW SPLINED | 111-B73053 |
| * 5 Impeller Lock Nut (CW) | 116-M10220 |
| † 6 Volute Gasket | 116-S05126 |
| † 7 Retaining Ring | 116-S23023 |
| † 8 Seal Retaining Ring | 116-S23009 |
| † 9 Mechanical Seal | 116-S32690 |
| † 10 Water Slinger | 116-S12260 |
| † 11 Inner Bearing Cap | 116-S19033 |
| * 12 Shaft Lock Nut | 116-M10221 |
| * 13 Lock Washer | 116-S16181 |
| * 14 Bearing, Ball | 116-S13270 |
| * 15 Seal, Oil | 116-M10217 |
| * 16 Outer Bearing Cap | 116-M10214 |
| * 17 Bearing, Ball | 116-M10218 |
| * 18 Washer, Thrust | 116-M10222 |
| * 19 Ring, Retaining | 116-S23010 |
| * 20 Shaft Sleeve | 116-S39242 |
| 21 Capscrew, Hex 3/8-16 x 1" | 116-S26826 |
| † Pump Rebuild Kit | 1011-MS3 |

* Items included in shaft kit



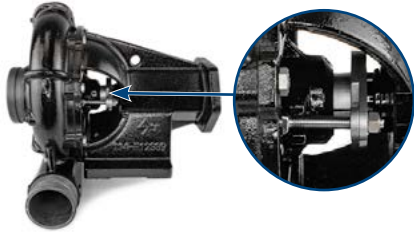
WATER PUMPS

NEED PUMP SELECTION HELP? SEE PAGE 39

B3Z SAE B HYDRAULIC FRAME PUMP

COMPLETE WATER PUMP

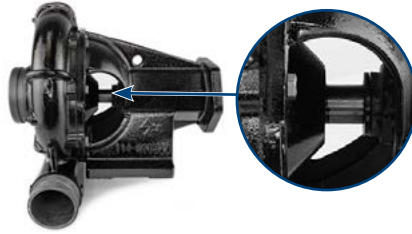
CW, Grooved, Rope Seal



| TYPE | SKU |
|-----------------------------|------------|
| CW B3Z SAE B Rope Seal Pump | 101-B81203 |

COMPLETE WATER PUMP

CW, Grooved, Mech Seal



| TYPE | SKU |
|-----------------------------|------------|
| CW B3Z SAE B Mech Seal Pump | 101-B81223 |

SHAFT KIT

Shaft, Bearings & Lock Washer



| TYPE | SKU |
|--------------------------------|------------|
| CW B3Z SAE B Splined Shaft Kit | 111-M80880 |

IMPELLER

Cast Iron, Threaded



Clockwise (CW)

| TYPE | SKU |
|-----------------|------------|
| CW B3Z Impeller | 112-M02153 |

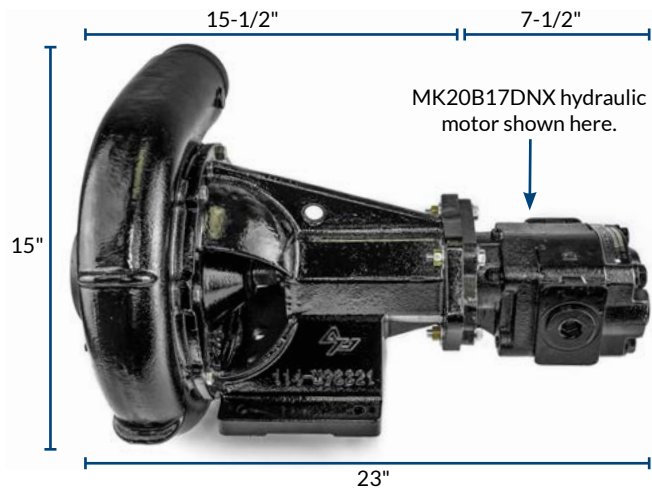
ALL COMPONENTS (ROPE SEAL)

| PART NAME | SKU |
|--|--------------------------|
| 1 Volute, B3Z, CW, Groove | 113-H04040 |
| 2 Impeller, B3Z, CW | 112-M02153 |
| 3 Pump O-Ring, B3Z (Optional Volute Gasket) | 116-M14943 116-S05126 |
| 4 SAE B Rope Seal Bearing Frame | 114-H12389 |
| 5 Pump Retaining Ring | 116-S23029 |
| *6 Shaft Retaining Ring | 116-S23010 |
| *7 Shaft Thrust Ring | 116-S29218 |
| *8 Shaft Kit, Female Spline, 7/8"-13 Tooth | 111-M80880 |
| *9 Pump Bearing, Rear | 116-S13271 |
| *10 Pump Bearing, Front | 116-S13270 |
| *11 Pump Shaft Sleeve, B3Z | 116-S05127 |
| *12 Pump Lock Nut, B3Z, CW | 116-M10220 |
| 13 Inner Bearing Cap | 116-S19033 |
| 14 Pump Slinger | 116-S12260 |
| 15 Gland Nut, B3Z | 116-S23343 |
| 16 Pump Packing Gland Set | 116-B82468 |
| 17 Gland Bolt, B3Z | 116-S23762 |
| 18 Pump Rope Packing | 116-S14022 |
| 19 Pipe Plug, 1/4", NPT | 116-S23715 |
| 20 Capscrew, B3Z, 3/8-16x1", Hex | 116-S26826 |

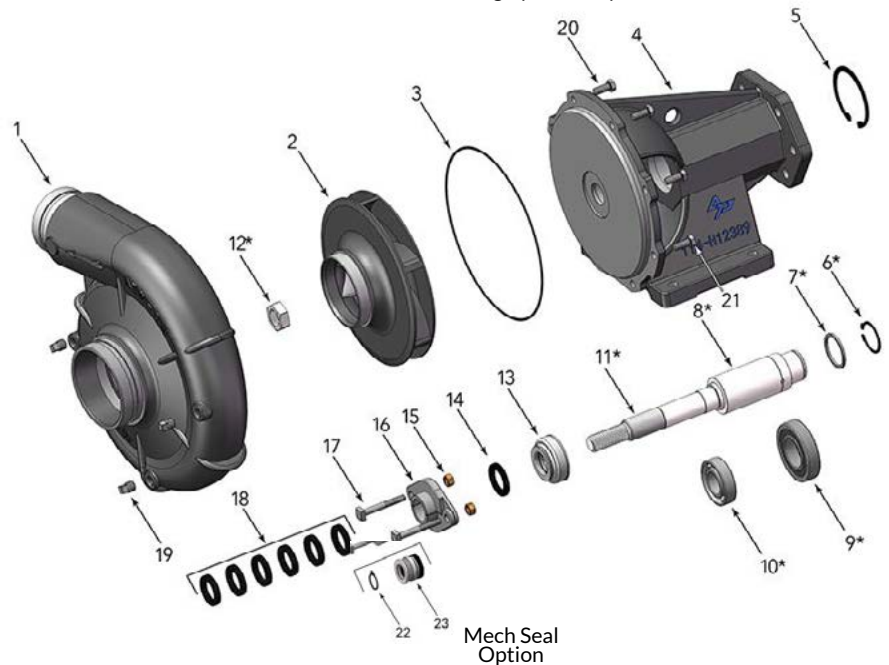
MECHANICAL SEAL COMPONENTS

| PART NAME | SKU |
|----------------------------------|------------|
| 4M SAE B Mech Seal Bearing Frame | 114-M98321 |
| 22 Retaining Ring | 116-S23009 |
| 23 Mechanical Seal | 116-S32690 |

* Items included in shaft kit



Hydraulic motor size should be specified based on existing hydraulic system.



7/8" 13 Tooth Female Splined Shaft



Scan Here for Pump Selector!

ACCESS TRUCK PARTS

B3ZQ-S SAE 5 MECHANICAL SEAL ENGINE MOUNT PUMP

COMPLETE WATER PUMP

CW, Grooved, Mech Seal



| TYPE | SKU |
|------------------------|------------|
| CW B3ZQ-S Grooved Pump | 101-B69963 |

IMPELLER

Cast Iron, Threaded



Clockwise (CW)

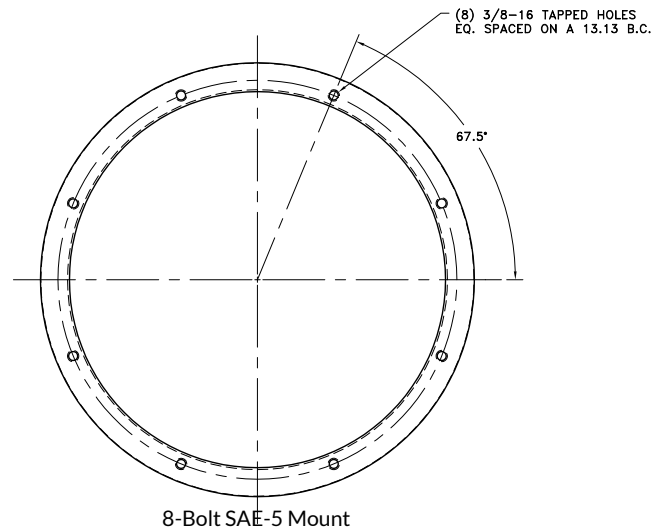
| TYPE | SKU |
|--------------------|------------|
| CW B3ZQ-S Impeller | 112-M04275 |

SHAFT KIT

Shaft, Bearings, Lock Washer & Bolt



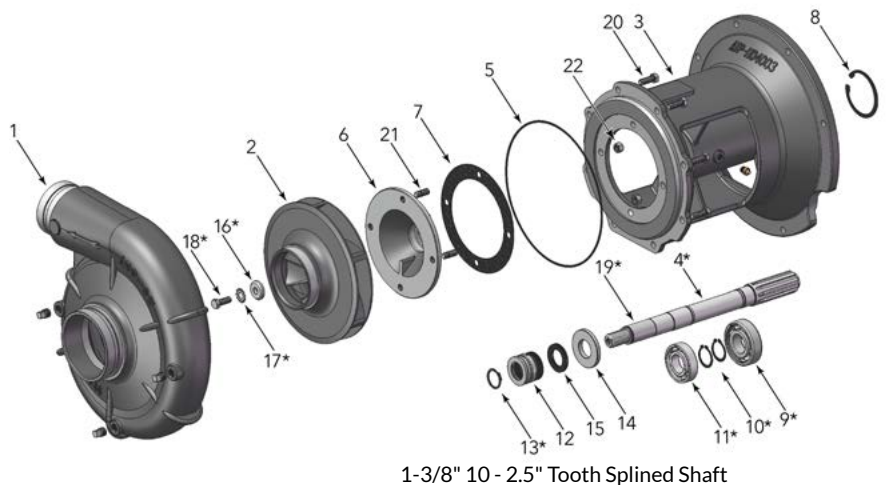
| TYPE | SKU |
|-----------------------------|------------|
| CW B3ZQ-S Splined Shaft Kit | 111-B71878 |



ALL COMPONENTS

| PART NAME | SKU |
|--|--------------------------|
| 1 Volute, CW, Grooved | 113-H04040 |
| 2 Impeller, CW | 112-M04275 |
| 3 SAE Pump Bracket | 114-H04003 |
| *4 Shaft Kit | 111-B71878 |
| 5 O-Ring, Volute (Optional Volute Gasket) | 116-M14943 116-S05126 |
| 6 Seal Retainer | 116-M06063 |
| 7 Gasket, Seal Retainer | 116-S16800 |
| 8 Ring, Retaining | 116-S24652 |
| *9 Bearing, Ball | 116-S14059 |
| *10 Ring, Retaining (2 Req) | 116-S23010 |
| *11 Bearing, Ball | 116-S13270 |
| 12 Seal, Mechanical Shaft | 116-S32690 |
| *13 Ring, Snap | 116-S23009 |
| 14 Seal, Oil | 116-S14762 |
| 15 Water Slinger | 116-S12260 |
| *16 Washer, Impeller | 116-S06314 |
| *17 Washer, Lock | 116-S23036 |
| *18 Screw, Impeller, 3/8-16 x 1" | 116-S23566 |
| *19 Sleeve, Shaft | 116-S39242 |
| 20 Capscrew, Hex 3/8-16 x 7/8" (8 Req) | 116-S26825 |
| 21 Stud, 3/8-16 x 1-1/4" (4 Req) | 116-S23944 |
| 22 Nut, Hex 3/8-16 (4 Req) | 116-S23103 |

* Items included in shaft kit



1-3/8" 10 - 2.5" Tooth Splined Shaft

B4Z SELF-PRIMING PUMP

COMPLETE WATER PUMP

CW, Threaded, Mech Seal



Uses 111-B80698 Keyed Shaft

| TYPE | SKU |
|-------------|------------|
| CW B4Z Pump | 102-B69880 |

COMPLETE WATER PUMP

CW, Threaded, Mech Seal, Hyd Adaptor



Comes with 115-B07779 Hydraulic Adaptor

| TYPE | SKU |
|-----------------------|------------|
| CW B4Z Hyd Mount Pump | 102-B69876 |

B4Z MECH SEAL POWER FRAME

Everything but the Volute



Comes with 115-B07779 Hydraulic Adaptor

| TYPE | SKU |
|--------------------|-------------|
| CW B4Z Power Frame | 102-B69876P |

SHAFT KIT

Shaft, Bearings, Sleeve, Locknut & Keyway



111-B80703 Shown Here

| TYPE | SKU |
|----------------------------|------------|
| CW B4Z Shaft Kit | 111-B80698 |
| CW B4Z Hyd Mount Shaft Kit | 111-B80703 |

HYDRAULIC ADAPTOR KIT

Replaces Outer Bearing Cap



Used with 111-B80703 Shaft Kit

| TYPE | SKU |
|---------------------------|------------|
| B3Z/B4Z Hydraulic Adaptor | 115-B07779 |

IMPELLER

Cast Iron, Threaded



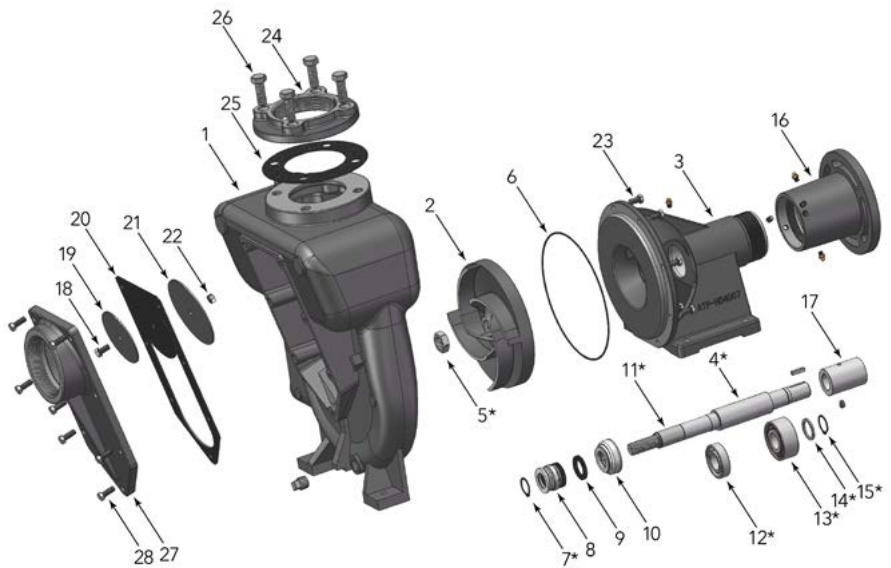
Clockwise (CW)

| TYPE | SKU |
|-----------------|------------|
| CW B4Z Impeller | 112-M08095 |

ALL COMPONENTS

| PART NAME | SKU |
|--|------------|
| 1 Volute, Self Priming | 113-H02505 |
| 2 Impeller, CW | 112-M08095 |
| 3 Pump Frame, Mechanical Seal | 114-H04007 |
| *4 Shaft Kit, Keyed | 111-B80703 |
| *5 Impeller Lock Nut (CW) | 116-M10220 |
| 6 Volute Gasket | 116-S05126 |
| *7 External Retaining Ring | 116-S23009 |
| 8 Mechanical Seal | 116-S32690 |
| 9 Water Slinger | 116-S12260 |
| 10 Inner Bearing Cap | 116-S19033 |
| *11 Shaft Sleeve (For Rope & Mech) | 116-S39242 |
| *12 Ball Bearing | 116-S13270 |
| *13 Ball Bearing | 116-S13271 |
| *14 Shaft Thrust Ring | 116-S29218 |
| *15 Retaining Ring | 116-S23010 |
| 16 Hydraulic Adaptor Kit (with 116-S30636) | 115-B07779 |
| 17 Shaft Coupling (7/8" Splined) | 116-S30636 |
| #18 Capscrew, Hex 3/8-16 x 3/4" | 116-S26824 |
| #19 Clack Weight | 116-S14842 |
| #20 Clack Gasket | 116-L04119 |
| #21 Clack Weight | 116-S15325 |
| #22 Pump Nut, Hex 3/8-16 | 116-S23103 |
| 23 Capscrew, Hex 3/8-16 x 1" (8 Req) | 116-S26826 |
| 24 Pump Companion Flange | 116-S15933 |
| 25 Pump Flange Gasket | 116-S10364 |
| 26 Capscrew, Hex 5/8-11 x 3/4" (4 Req) | 116-S27001 |
| 27 Pump Cover | 116-L04108 |
| 28 Capscrew, Hex 3/8-16 x 1-1/4" (8 Req) | 116-S26828 |
| # Complete Clack Assembly | 116-L91140 |

* Items included in shaft kit



102-B69876 Shown Here

1-1/8" Shaft with 1/4" Keyway



Scan Here for Pump Selector!

NEED PUMP SELECTION HELP? SEE PAGE 39

B3J MECHANICAL SEAL HIGH PRESSURE PUMP

COMPLETE WATER PUMP

CW, Grooved, Mech Seal

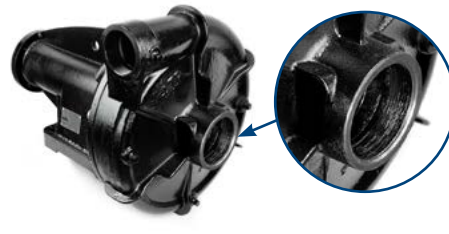


5" Groove

| TYPE | SKU |
|---------------------|--------------|
| CW B3J Grooved Pump | 101-B73403GR |

COMPLETE WATER PUMP

CW, Threaded, Mech Seal



| TYPE | SKU |
|----------------------|------------|
| CW B3J Threaded Pump | 101-B73403 |

IMPELLER

Cast Iron, Threaded



Clockwise (CW)

| TYPE | SKU |
|-----------------|------------|
| CW B3J Impeller | 112-L03038 |

SHAFT KIT

Shaft, Bearings, Lock Washer & Bolt



| TYPE | SKU |
|--------------------------|------------|
| CW B3J Splined Shaft Kit | 111-B73051 |

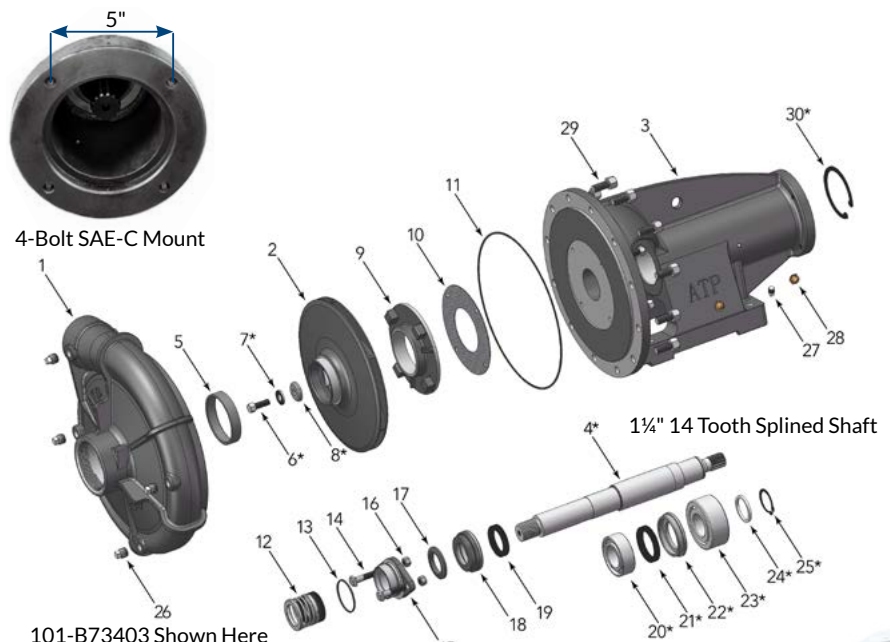


101-B73403GR shown here on Coleman's Equipment 8,000 Gallon CAT 745 Tank System.

ALL COMPONENTS

| | PART NAME | SKU |
|--------|--|--------------|
| 1 | Volute Case, CW, Threaded | 113-H01863 |
| 1 | Volute Case, CW, Grooved | 113-H01863GR |
| † 2 | CW Impeller, 13-1/2" Diameter | 112-L03038 |
| 3 | Pump Bearing Frame | 114-M05103 |
| † * 4 | Shaft Kit (Hydraulically Driven) | 111-B73051 |
| † 5 | Ring, Wearing | 116-S04176 |
| * 6 | Screw, Impeller 1/2-13 x 1-1/2" | 116-S23623 |
| * 7 | Lock Washer | 116-S23038 |
| * 8 | Washer, Impeller | 116-S19275 |
| 9 | Ring, Balance | 116-M05073 |
| 10 | Gasket, Balance Ring | 116-S09943 |
| † 11 | Gasket, Volute | 116-S06271 |
| † 12 | Seal, Mechanical Shaft | 116-S32693 |
| † 13 | O-Ring | 116-S26471 |
| † 14 | Bolt, Sq. Head 1/2-13 x 2-1/4" (2 Req) | 116-S23792 |
| † 15 | Retainer, Mechanical Shaft Seal | 116-S11452 |
| † 16 | Nut, Hex 1/2-13 x 7/16" (2 Req) | 116-S23347 |
| † 17 | Slinger, Water | 116-S10964 |
| † 18 | Inner Bearing Cap | 116-M10200 |
| † 19 | Seal, Oil | 116-S14765 |
| * 20 | Bearing, Ball | 116-S15604 |
| † * 21 | Seal, Oil | 116-M10210 |
| † * 22 | Outer Bearing Cap | 116-M10209 |
| * 23 | Bearing, Ball | 116-M10184 |
| * 24 | Ring, Thrust | 116-S06519 |
| * 25 | Ring, Retaining | 116-S23016 |
| 26 | Plug, Pipe 1/2" NPT (4 Req.) | 116-S23717 |
| 27 | Plug, Pipe 1/4" NPT | 116-S23715 |
| 28 | Fitting, Grease (2 Req.) | 116-S23670 |
| 29 | Capscrew, Hex 5/8-11 x 1-1/2 (12 Req) | 116-S26999 |
| † * 30 | Ring, Retaining | 116-S23025 |
| † | Pump Rebuild Kit | 1011-B3JS |

* Items included in shaft kit



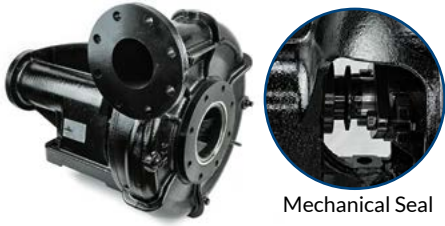
101-B73403 Shown Here

NEED PUMP SELECTION HELP? SEE PAGE 39

B4J 5 x 4 MECHANICAL SEAL PUMP (SPLINED)

COMPLETE WATER PUMP

CW, Flanged, Mech Seal



Mechanical Seal

| TYPE | SKU |
|---------------------|------------|
| CW B4J Flanged Pump | 101-B69743 |

IMPELLER

Cast Iron, Threaded



Clockwise (CW)

| TYPE | SKU |
|-----------------|------------|
| CW B4J Impeller | 112-L05976 |

SHAFT KIT

Shaft, Bearings, Lock Washer & Bolt

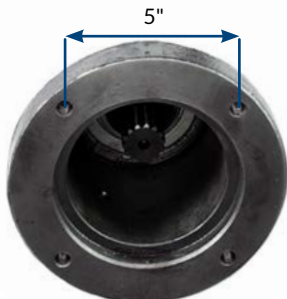


| TYPE | SKU |
|--------------------------|------------|
| CW B4J Splined Shaft Kit | 111-B73051 |

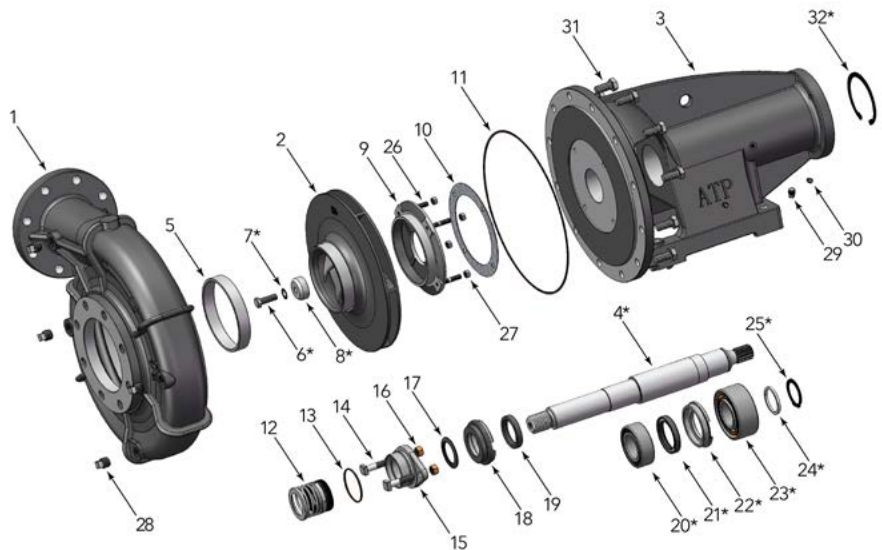
ALL COMPONENTS

| | PART NAME | SKU |
|--------|---|------------|
| 1 | Case, Volute | 113-H03843 |
| † 2 | Impeller | 112-L05976 |
| 3 | Pump Bearing Frame | 114-M05103 |
| † * 4 | Shaft Kit | 111-B73051 |
| † 5 | Ring, Wearing | 116-S02894 |
| * 6 | Screw, Impeller ½-13 x 1½" | 116-S23623 |
| * 7 | Lock Washer | 116-S23038 |
| * 8 | Washer, Impeller | 116-S19275 |
| † 9 | Ring, Balance | 116-S13591 |
| † 10 | Gasket, Balance Ring | 116-S09943 |
| † 11 | Gasket, Volute | 116-S06271 |
| † 12 | Seal, Mechanical Shaft | 116-S32693 |
| † 13 | O-Ring | 116-S26471 |
| † 14 | Bolt, Sq. Head ½-13 x 2-3/4" (2 Req.) | 116-S23792 |
| † 15 | Retainer, Mechanical Seal | 116-S11452 |
| † 16 | Nut, Hex ½-13 x 7/16" (2 Req.) | 116-S23347 |
| † 17 | Slinger, Water | 116-S10964 |
| 18 | Inner Bearing Cap | 116-M10200 |
| † 19 | Seal, Oil | 116-S14765 |
| * 20 | Bearing, Ball | 116-S15604 |
| * 21 | Seal, Oil | 116-M10210 |
| † * 22 | Outer Bearing Cap | 116-M10209 |
| * 23 | Bearing, Ball | 116-M10184 |
| * 24 | Ring, Thrust | 116-S06519 |
| * 25 | Ring, Retaining | 116-S23016 |
| 26 | Stud, 3/8-16 x 1½" (4 Req.) | 116-S23995 |
| 27 | Nut, Hex 3/8-16 (4 Req.) | 116-S23103 |
| 28 | Plug, Pipe 1/2 NPT (4 Req.) | 116-S23717 |
| 29 | Plug, Pipe 1/4 NPT | 116-S23715 |
| 30 | Fitting, Grease (2 Req.) | 116-S23670 |
| 31 | Capscrew, Hex 5/8-11 x 1-1/2" (12 Req.) | 116-S26999 |
| † * 32 | Ring, Retaining | 116-S23025 |
| † | Pump Rebuild Kit | 1011-B4JS |

* Items included in shaft kit



4-Bolt SAE-C Mount



1¼" 14 Tooth Splined Shaft

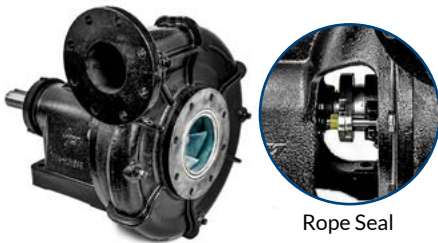


Scan Here for Pump Selector!

B4J 5 x 4 ROPE SEAL PUMP (KEYED)

COMPLETE WATER PUMP

CW, Flanged, Rope Seal



Rope Seal

| TYPE | SKU |
|---------------------|------------|
| CW B4J Flanged Pump | 101-B62321 |

IMPELLER

Cast Iron, Threaded



Clockwise (CW)

| TYPE | SKU |
|-----------------|------------|
| CW B4J Impeller | 112-L05976 |

SHAFT KIT

Shaft, Bearings, Washer, Bolt & Key



| TYPE | SKU |
|------------------------|------------|
| CW B4J Keyed Shaft Kit | 111-B07596 |

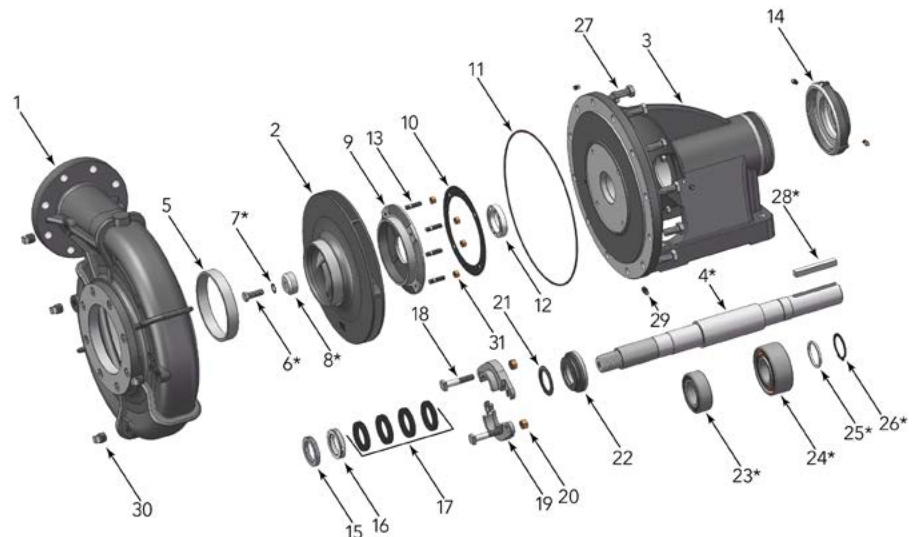
ALL COMPONENTS

| | PART NAME | SKU |
|-------|--|------------|
| 1 | Volute, B4J, CW | 113-H03843 |
| † 2 | Impeller, B4J, CW | 112-L05976 |
| 3 | Bearing Frame | 114-H01599 |
| † * 4 | Shaft Kit, CW, 1-7/8" Keyed | 111-B07596 |
| † 5 | Wearing Ring | 116-S02894 |
| * 6 | Screw, Impeller 1/2-13 x 1-1/2" | 116-S23623 |
| * 7 | Lock Washer | 116-S23038 |
| * 8 | Impeller Washer | 116-S19275 |
| 9 | Balance Ring | 116-S12315 |
| † 10 | Balance Ring Gasket | 116-S09943 |
| † 11 | Volute Gasket | 116-S06271 |
| 12 | Throat Bushing | 116-S18992 |
| 13 | Stud, 3/8-16 x 1-3/8" (4 Req.) | 116-S09942 |
| † 14 | Outer Bearing Cap | 116-S35277 |
| † 15 | Metallic Ring | 116-S13434 |
| 16 | Lantern Ring | 116-S18993 |
| † 17 | Packing Set (Set of 4 Rings) | 116-S13436 |
| † 18 | Bolt, Sq. Head 1/2-13 x 2-3/4" (2 Req) | 116-S23794 |
| † 19 | Packing Gland, Split | 116-B82472 |
| † 20 | Nut, Hex 1/2-13 (2 Req) | 116-S23347 |
| † 21 | Water Slinger | 116-S10964 |
| 22 | Inner Bearing Cap | 116-S05928 |
| * 23 | Bearing | 116-S15604 |
| * 24 | Bearing | 116-S13396 |
| * 25 | Thrust Ring | 116-S06519 |
| * 26 | Retaining Ring | 116-S23016 |
| 27 | Capscrew, Hex 5/8-11 x 1-1/2" (12 Req) | 116-S26999 |
| * 28 | Key, 1/2 x 4" (8 Req) | 116-S24214 |
| 29 | Grease Fitting (2 Req) | 116-S23670 |
| 30 | Pipe Plug, 1/2" NPT (4 Req) | 116-S23717 |
| 31 | Nut, Hex 3/8-16" | 116-S23103 |
| † | Pump Rebuild Kit | 1011-B4JR |

* Items included in shaft kit



1-7/8" Keyed Shaft

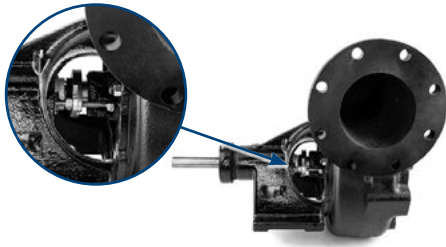


WATER PUMPS

B6Z HIGH VOLUME PUMP

COMPLETE WATER PUMP

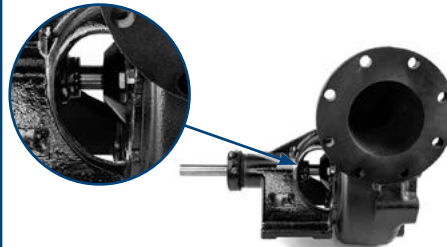
CW, Flanged, Rope Seal



| TYPE | SKU |
|-----------------------|------------|
| CW B6Z Rope Seal Pump | 101-B69501 |

COMPLETE WATER PUMP

CW, Flanged, Mechanical Seal



| TYPE | SKU |
|-----------------------|------------|
| CW B6Z Mech Seal Pump | 101-B69500 |

COMPLETE WATER PUMP

CW, Flanged, Rope Seal, B6ZRL



Complete Pump



With modified impeller for use with electric motor



Power Frame

| TYPE | SKU |
|-------------------------|------------|
| CW B6ZRL Rope Seal Pump | 101-B69504 |
| CW B6ZRL Impeller | 112-M04272 |
| CW B6ZRL Power Frame | 103-B69504 |

IMPELLER

Cast Iron, Threaded

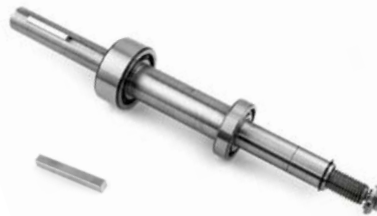


Clockwise (CW)

| TYPE | SKU |
|-----------------|------------|
| CW B6Z Impeller | 112-M04186 |

SHAFT KIT

Shaft, Bearings, Lock Washer & Bolt



| TYPE | SKU |
|------------------------|------------|
| CW B6Z Keyed Shaft Kit | 111-B82184 |

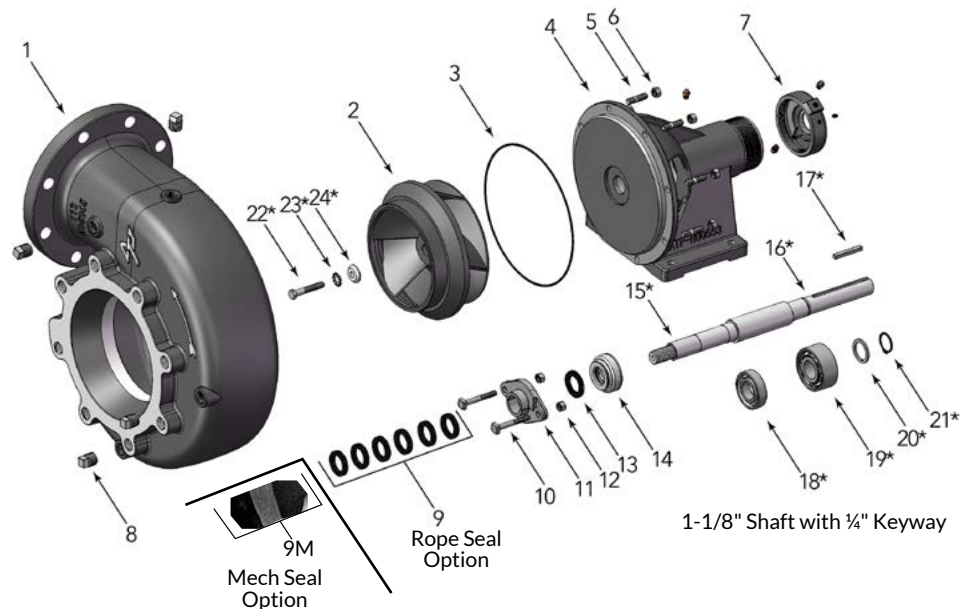
ALL COMPONENTS (ROPE SEAL)

| PART NAME | SKU |
|--------------------------------------|------------|
| 1 Volute, B6Z | 113-H05065 |
| 2 Impeller B6Z, CW | 112-M04186 |
| 3 Volute Gasket | 116-S05126 |
| 4 Pump Frame, Rope Seal | 114-H00553 |
| 5 Stud, 3/8-16 x 1-1/4" | 116-S23944 |
| 6 Nut, Hex 3/8-16 | 116-S23103 |
| 7 Outer Bearing Cap | 116-S19914 |
| 8 1/2" Pipe Plug | 116-S23717 |
| 9 Rope Packing | 116-S14022 |
| 10 Packing Bolt (2 req) | 116-S23762 |
| 11 Split Packing Gland | 116-B82468 |
| 12 Packing Nut (2 req) | 116-S23343 |
| 13 Water Slinger | 116-S12260 |
| 14 Inner Bearing Cap | 116-S19033 |
| *15 Shaft Sleeve (For Rope & Mech) | 116-S39242 |
| *16 Pump Shaft Kit (For Rope & Mech) | 111-B82184 |
| *17 1/4" Key | 116-S24255 |
| *18 Ball Bearing | 116-S13270 |
| *19 Ball Bearing | 116-S13271 |
| *20 Thrust Ring | 116-S29218 |
| *21 Retaining Snap Ring | 116-S23010 |
| *22 Screw, Impeller 3/8-16 x 1-3/4" | 116-S23572 |
| *23 Lock Washer | 116-S23036 |
| *24 Impeller Washer | 116-S06314 |

MECHANICAL SEAL COMPONENTS

| PART NAME | SKU |
|-------------------------------|------------|
| 4 Pump Frame, Mechanical Seal | 114-H04007 |
| 9M Mechanical Seal | 116-S32690 |

* Items included in shaft kit



Our Standard 101-B69501 Rope Seal Version Shown Here



Scan Here for Pump Selector!

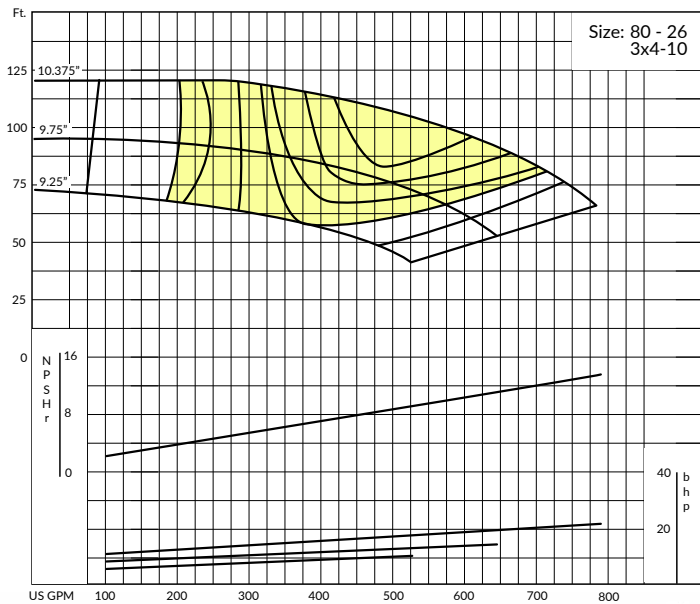
ACCESS TRUCK PARTS

NEED PUMP SELECTION HELP? SEE PAGE 39

STAINLESS STEEL 4 x 3 MECHANICAL SEAL PUMP (POTABLE)

COMPLETE WATER PUMP

CW, Flanged, Keyed, Mechanical Seal



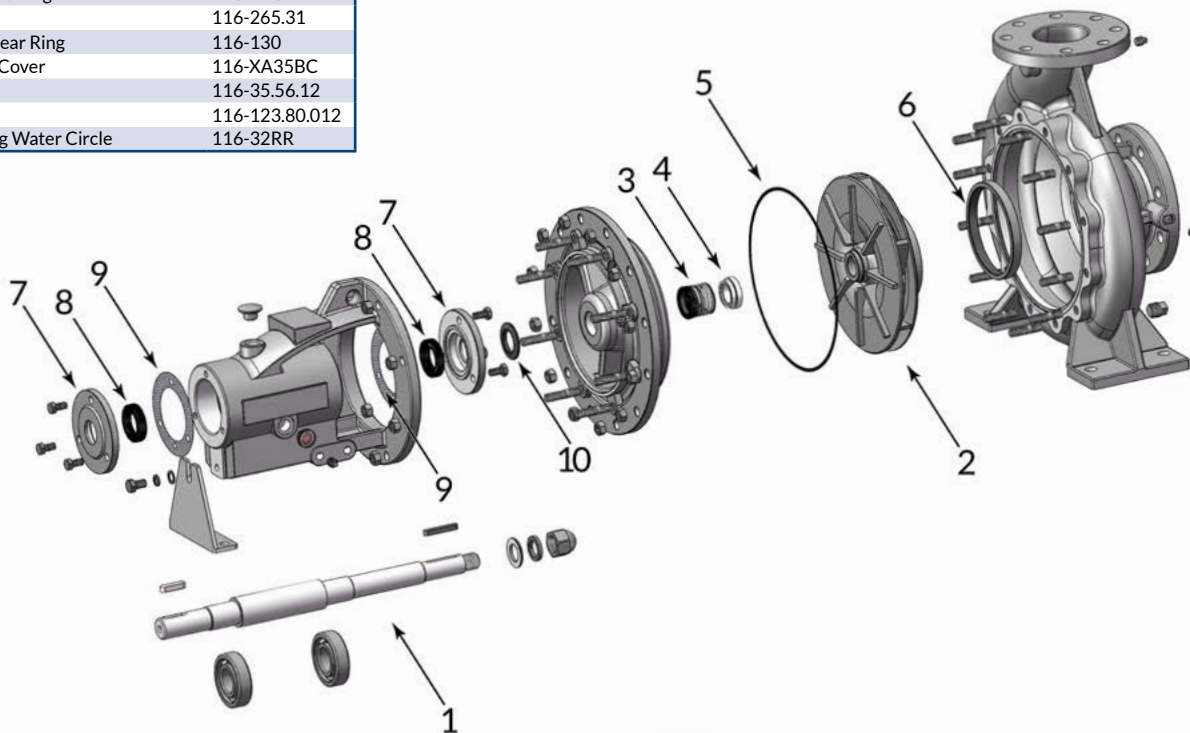
| TYPE | SKU |
|--------------------------------------|---------------|
| NSF CW 316 Stainless Mech Seal Pump | 101-XA80-26 |
| NSF CCW 316 Stainless Mech Seal Pump | 101-XA80-27 |
| CW 304 Stainless Mech Seal Pump | 101-XA80-26-1 |



ALL COMPONENTS

| PART NAME | SKU |
|---------------------------|----------------|
| 1 Shaft Kit | 111-XA-35 |
| 2 Impeller, Stainless | 112-XA80-26 |
| 3 Mechanical Seal | 116-32MS |
| 4 Abutment Ring | 116-XA32 |
| 5 O-Ring | 116-265.31 |
| 6 Pump Wear Ring | 116-130 |
| 7 Bearing Cover | 116-XA35BC |
| 8 Seal | 116-35.56.12 |
| 9 Gasket | 116-123.80.012 |
| 10 Retaining Water Circle | 116-32RR |

NSF/ANSI STANDARD 61 CERTIFICATION AVAILABLE!
SAFE TO BE INSTALLED IN A POTABLE WATER SYSTEM FOR PUBLIC USE AND CONSUMPTION



IN-LINE CONTROL VALVES

AIR OPERATED

CLA STYLE VALVE

Steel, Grooved



| TYPE | SKU |
|------|-----------|
| 3" | 171-300GR |

TEE VALVE

Aluminum, Grooved



| TYPE | SKU |
|------|---------|
| 3" | 195-300 |

HYDRAULIC

CLA STYLE VALVE

Aluminum, Threaded



| TYPE | SKU |
|------|------------|
| 3" | 171-300HYD |

CLA STYLE VALVE

Threaded



Aluminum Steel

| DES. | CONSTRUCTION | SKU |
|------|--------------|-----------|
| 3" | Aluminum | 171-300AL |
| 2½" | Steel | 171-250 |
| 3" | Steel | 171-300 |

NORMALLY CLOSED VALVE

Aluminum, Grooved



| TYPE | SKU |
|------|---------|
| 3" | 177-300 |

DIAPHRAGM VALVE

Aluminum, NPT & Grooved



| TYPE | SKU |
|----------------|--------------|
| 2"NPT × 3"GRV | 1722-200300G |
| 2½"NPT × 3"GRV | 1722-250300G |

BUTTERFLY VALVE

Wafer Style



| DES. | TYPE | SKU |
|------|----------------|-------------|
| 2½" | Air Open/Close | 173B-250-AA |
| 3" | Air Open/Close | 173B-300-AA |
| 4" | Air Open/Close | 173B-400-AA |
| 6" | Air Open/Close | 173B-600-AA |
| 2½" | Spring Return | 173B-250-SR |
| 3" | Spring Return | 173B-300-SR |
| 4" | Spring Return | 173B-400-SR |
| 6" | Spring Return | 173B-600-SR |

DIAPHRAGM VALVE

Aluminum, Grooved



| TYPE | SKU |
|------|----------|
| 3" | 1721-300 |

DIAPHRAGM VALVE

Steel, Threaded



| TYPE | SKU |
|------|----------|
| 3" | 1722-300 |

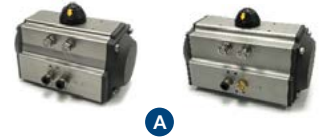
BUTTERFLY VALVE

Grooved



| DES. | TYPE | SKU |
|------|----------------|-------------|
| 2½" | Air Open/Close | 174B-250-AA |
| 3" | Air Open/Close | 174B-300-AA |
| 4" | Air Open/Close | 174B-400-AA |
| 6" | Air Open/Close | 174B-600-AA |
| 2½" | Spring Return | 174B-250-SR |
| 3" | Spring Return | 174B-300-SR |
| 4" | Spring Return | 174B-400-SR |
| 6" | Spring Return | 174B-600-SR |

BUTTERFLY VALVE ACTUATORS



| DES. | TYPE | SKU |
|------|----------------|--------------|
| 3" | Air Open/Close | 1731B-300-AA |
| 4" | Air Open/Close | 1731B-400-AA |
| 6" | Air Open/Close | 1731B-600-AA |
| 2½" | Spring Return | 1731B-250-SR |
| 3" | Spring Return | 1731B-300-SR |
| 4" | Spring Return | 1731B-400-SR |

MANUAL VALVES

BUTTERFLY VALVE

Wafer Style, with Handle



| TYPE | SKU |
|------|-----------|
| 2½" | 181B-250 |
| 3" | 181B-300 |
| 4" | 181B-400 |
| 6" | 181B-600 |
| 10" | 181B-1000 |
| 12" | 181B-1200 |

BUTTERFLY VALVE

Grooved, with Handle



| TYPE | SKU |
|------|---------|
| 2" | 182-200 |
| 2½" | 182-250 |
| 3" | 182-300 |
| 4" | 182-400 |
| 5" | 182-500 |
| 6" | 182-600 |

GATE VALVE

Brass, Threaded



| TYPE | SKU |
|------|---------|
| ½" | 184-050 |
| 1" | 184-100 |
| 1¼" | 184-125 |
| 1½" | 184-150 |
| 2" | 184-200 |
| 2½" | 184-250 |
| 3" | 184-300 |

BALL VALVE

Brass, Threaded



| TYPE | SKU |
|---------------|-------------|
| 3/8" | 183-0375 |
| ½" | 183-050 |
| ¾" | 183-075 |
| 1" | 183-100 |
| 1½" | 183-150 |
| 3" | 183-300 |
| ¼" MPT × FPT | 183-025-025 |
| 1¼" Full Port | 183-125FP |
| 1½" Full Port | 183-150FP |
| 3" Full Port | 183-300FP |

DEFLECTOR TYPE SPRAY HEADS



211-3-140

211-3-100

211-3-100

SLIP-OVER DEFLECTOR Aluminum



| TYPE | SKU |
|------|---------|
| 3" | 211-300 |

ADJUSTABLE FAN SPRAY Aluminum, Grooved



| DES. | HEIGHT | SKU |
|------|------------|-----------|
| 3" | Short (4") | 211-3-100 |
| 3" | Tall (6") | 211-3-140 |

ADJUSTABLE PATTERN Aluminum, Grooved



| TYPE | SKU |
|------|---------|
| 3" | 213-110 |

SLOTTED PIPE CAP Iron, Threaded



| TYPE | SKU |
|------|---------|
| 2" | 215-200 |
| 2½" | 215-250 |
| 3" | 215-300 |

AIR OPERATED SPRAY HEAD VALVES

FIXED PATTERN Aluminum, Threaded



| DES. | HEIGHT | SKU |
|------|--------|------------|
| 3" | Short | 179-100602 |
| 3" | Tall | 179-100601 |

ADJUSTABLE PATTERN Aluminum, Grooved, Normally Closed



| TYPE | SKU |
|------|-----------|
| 3" | 191-71300 |

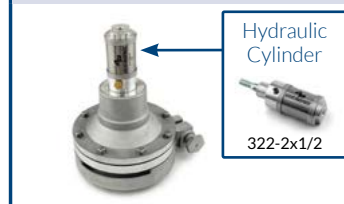
AGM STYLE Aluminum Body, Weld Mount



| TYPE | SKU |
|------|------------|
| 3" | 196-SV4105 |

HYDRAULIC

HYDRAULIC SPRAY HEAD VALVE Aluminum Body, Weld Mount



| TYPE | SKU |
|------|------------|
| 3" | 194-025610 |

HEAVY DUTY ADJUSTABLE Aluminum, Weld Mount



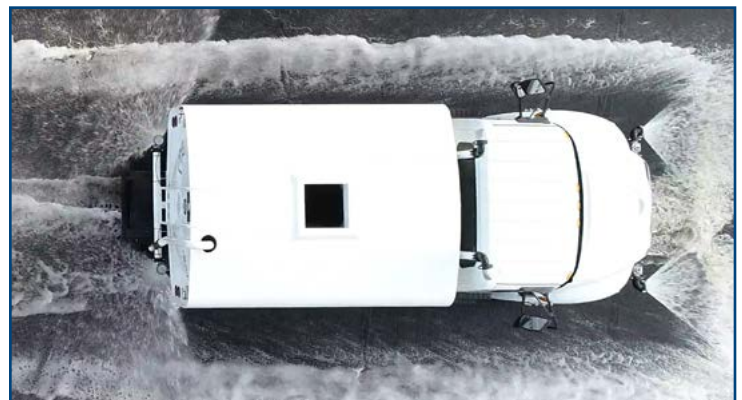
Includes mounting plate, eccentric washers and mounting bolts.

| TYPE | SKU |
|------|---------|
| 3" | 193-300 |

MINI ADJUSTABLE Aluminum, Grooved



| TYPE | SKU |
|------|------------|
| 3" | 197-QP-303 |



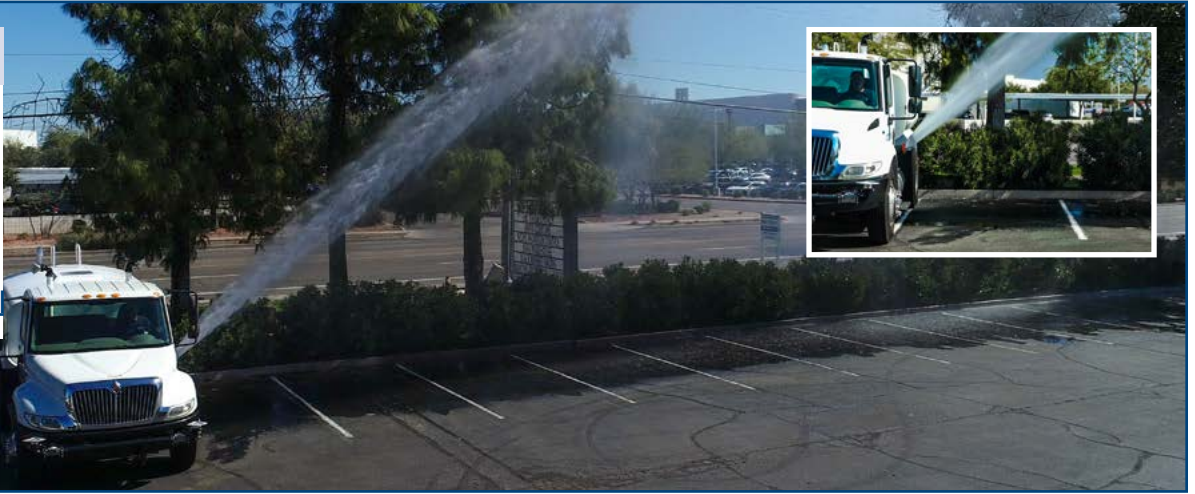
SIDE SPRAY HEADS

5" x 1/4" SLOT FIN SIDE SPRAY

5" x 1/4" SLOT FIN
Aluminum, Grooved



| TYPE | SKU |
|------|---------|
| 3" | 212-300 |



7" SLOT DUCKBILL SIDE SPRAY

7" x 1/4" SLOT DUCKBILL
Aluminum, Grooved



| TYPE | SKU |
|------|-----------|
| 3" | 212-7-300 |



5" SLOT DUCKBILL SIDE SPRAY

5" x 1/4" SLOT DUCKBILL
Aluminum, Grooved



| TYPE | SKU |
|------|-----------|
| 3" | 212-5-300 |



90° SIDE SPRAY

4¾" x ¾" SLOT 90°
Aluminum, Grooved



| TYPE | SKU |
|------|---------|
| 3" | 214-300 |



SIDE SPRAY HEAD

SIDE SPRAY HEAD
Aluminum, Grooved/Threaded



| TYPE | SKU |
|----------------|---------------|
| 3"Grv/2.5"FNPT | 212-300250THD |
| 2.5" MNPT only | 212-250THD |



STREET FLUSER

6" x ¾" SLOT STREET FLUSER
Steel, Threaded



| TYPE | SKU |
|------|---------------|
| 2" | 214-SVNOZFR-2 |

7" x ¾" SLOT DUCKBILL
Aluminum, Grooved



| TYPE | SKU |
|------|----------------|
| 3" | 214-300-7x3/32 |



DIAPHRAGM VALVE ASSEMBLIES

FIN SIDE SPRAY HEAD

Aluminum Diaphragm Valve, Grooved



| TYPE | SKU |
|-------------------------------------|---------------|
| 1-6 3" FULL KIT - W/ FIN SIDE SPRAY | 1721A-212-300 |
| 1 3" Grooved x PE Nipple | 246-300 |
| 2 3" Angle Pad Groove Coupling | 251-300ZFG |
| 3 3" Grooved In-Line Valve | 1721-300 |
| 4 3" 90° Groove Elbow | 241-90300 |
| 5 3" Flex Groove Coupling | 251-300FG |
| 6 Side Spray Head (Fin) | 212-300 |

DUCKBILL FLUSHER HEAD

Aluminum Diaphragm Valve, Grooved



| TYPE | SKU |
|--|----------------|
| 1-6 3" FULL KIT - W/ DUCKBILL FLUSHER HEAD | 1721A-7X3/32 |
| 1 3" Grooved x PE Nipple | 246-300 |
| 2 3" Angle Pad Groove Coupling | 251-300ZFG |
| 3 3" Grooved In-Line Valve | 1721-300 |
| 4 3" 90° Groove Elbow | 241-90300 |
| 5 3" Flex Groove Coupling | 251-300FG |
| 6 Flusher Head, 7" x 3/32" Slot | 214-300-7x3/32 |

ADJUSTABLE DEFLECTOR SPRAY HEAD

Aluminum Diaphragm Valve, Grooved



| TYPE | SKU |
|---------------------------------------|---------------|
| 1-6A 3" FULL KIT - W/ SHORT DEFLECTOR | 1721A-211-100 |
| 1-6B 3" FULL KIT - W/ TALL DEFLECTOR | 1721A-211-140 |
| 1 3" Grooved x PE Nipple | 246-300 |
| 2 3" Angle Pad Groove Coupling | 251-300ZFG |
| 3 3" Grooved In-Line Valve | 1721-300 |
| 4 3" 90° Grooved Elbow | 241-90300 |
| 5 3" Flex Groove Coupling | 251-300FG |
| 6a Short (4") Deflector Spray Head | 211-3-100 |
| 6b Tall (6") Deflector Spray Head | 211-3-140 |

90° FLUSHER HEAD

Aluminum Diaphragm Valve, Grooved



| TYPE | SKU |
|---------------------------------------|---------------|
| 1-6 3" FULL KIT - W/ 90° FLUSHER HEAD | 1721A-214-300 |
| 1 3" Grooved x PE Nipple | 246-300 |
| 2 3" Angle Pad Groove Coupling | 251-300ZFG |
| 3 3" Grooved In-Line Valve | 1721-300 |
| 4 3" 90° Grooved Elbow | 241-90300 |
| 5 3" Flex Groove Coupling | 251-300FG |
| 6 90° Flusher Side Spray Head | 214-300 |

THREADED CLA STYLE VALVE ASSEMBLIES

FIN SIDE SPRAY HEAD

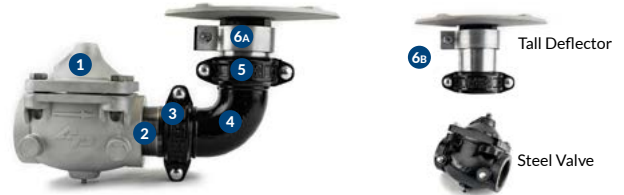
CLA Style Valve, Threaded



| TYPE | SKU |
|--|----------------|
| 1-6 3" FULL KIT - ALUMINUM VALVE W/ FIN SIDE SPRAY | 171A-212-300AL |
| 1-6 3" FULL KIT - STEEL VALVE W/ FIN SIDE SPRAY | 171A-212-300 |
| 1 3" Aluminum CLA Style Valve | 171-300AL |
| 1 3" Steel CLA Style Valve | 171-300 |
| 2 3" Grooved x Thread Nipple | 245-300 |
| 3 3" Angle Pad Groove Coupling | 251-300ZFG |
| 4 3" 90° Groove Elbow | 241-90300 |
| 5 3" Flex Groove Coupling | 251-300FG |
| 6 3" Side Spray Head (Fin) | 212-300 |

ADJUSTABLE DEFLECTOR SPRAY HEAD

CLA Style Valve, Threaded



| TYPE | SKU |
|--|----------------|
| 1-6A 3" FULL KIT - ALUMINUM VALVE W/ SHORT DEFLECTOR | 171A-211-100AL |
| 1-6B 3" FULL KIT - ALUMINUM VALVE W/ TALL DEFLECTOR | 171A-211-140AL |
| 1-6A 3" FULL KIT - STEEL VALVE W/ SHORT DEFLECTOR | 171A-211-100 |
| 1-6B 3" FULL KIT - STEEL VALVE W/ TALL DEFLECTOR | 171A-211-140 |
| 1 3" Aluminum CLA Style Valve | 171-300AL |
| 1 3" Steel CLA Style Valve | 171-300 |
| 2 3" Grooved x Thread Nipple | 245-300 |
| 3 3" Angle Pad Grooved Coupling | 251-300ZFG |
| 4 3" 90° Grooved Elbow | 241-90300 |
| 5 3" Flex Grooved Coupling | 251-300FG |
| 6a Tall (6") Deflector Spray Head | 211-3-140 |
| 6b Short (4") Deflector Spray Head | 211-3-100 |

TEE VALVE ASSEMBLIES

ADJUSTABLE PATTERN SPRAY HEAD

Aluminum Valve, Grooved



| TYPE | SKU |
|--|------------|
| 1-5 3" FULL KIT - W/ ADJUSTABLE NOZZLE | 195A-8304 |
| 1 3" Tee Valve | 195-300 |
| 2 3" Angle Pad Groove Coupling | 251-300ZFG |
| 3 3" Grooved x PE Nipple | 246-300 |
| 4 3" Flex Groove Coupling | 251-300FG |
| 5 3" Adjustable Spray Head | 213-110 |

90° SIDE SPRAY HEAD

Aluminum Valve, Grooved



| TYPE | SKU |
|--|------------|
| 1-5 3" FULL KIT - W/ 90° STREET FLUSHER SPRAY HEAD | 195A-6304 |
| 1 3" 90° Street Flusher Spray Head | 214-300 |
| 2 3" Flex Groove Coupling | 251-300FG |
| 3 3" Tee Valve | 195-300 |
| 4 3" Angle Pad Groove Coupling | 251-300ZFG |
| 5 3" Grooved x PE Nipple | 246-300 |

ADJUSTABLE DEFLECTOR SPRAY HEAD

Aluminum Valve, Grooved



| TYPE | SKU |
|--|--------------|
| 1-5A 3" FULL KIT - W/ SHORT DEFLECTOR HEAD | 195A-211-100 |
| 1-5B 3" FULL KIT - W/ TALL DEFLECTOR HEAD | 195A-211-140 |
| 1 3" Tee Valve | 195-300 |
| 2 3" Angle Pad Groove Coupling | 251-300ZFG |
| 3 3" Grooved x PE Nipple | 246-300 |
| 4 3" Flex Groove Coupling | 251-300FG |
| 5a Deflector Spry Head, Short | 211-3-100 |
| 5b Deflector Spry Head, Tall | 211-3-140 |

FIN SIDE SPRAY / FLUSHER HEAD

Aluminum Valve, Grooved



| TYPE | SKU |
|---|----------------|
| 1-5A 3" FULL KIT - W/ 7" SLOT DUCKBILL SIDE SPRAY | 195A-8854 |
| 1-5B 3" FULL KIT - W/ 7" x 3/32" SLOT FLUSHER SPRAY | 195A-7304 |
| 1-5C 3" FULL KIT - W/ FIN SIDE SPRAY | 195A-212 |
| 1 3" Tee Valve | 195-300 |
| 2 3" Angle Pad Groove Coupling | 251-300ZFG |
| 3 3" Grooved x PE Nipple | 246-300 |
| 4 3" Flex Groove Coupling | 251-300FG |
| 5a 7" Slot Duck Bill Side Spray Head | 212-7-300 |
| 5b 7" x 3/32" Slot Flusher Head | 214-300-7x3/32 |
| 5c Side Spray Head (Fin Style) | 212-300 |

90° FIN SIDE SPRAY / FLUSHER HEAD

Aluminum Valve, Grooved



| TYPE | SKU |
|--|----------------|
| 1-6A 3" FULL KIT - W/ 7" SLOT DUCKBILL SIDE SPRAY | 195A-8174 |
| 1-6B 3" FULL KIT - W/ 7" x 3/32" SLOT FLUSHER HEAD | 195A-3484 |
| 1-6C 3" FULL KIT - W/ FIN SIDE SPRAY HEAD | 195A-2123 |
| 1 3" Tee Valve | 195-300 |
| 2 3" Angle Pad Groove Coupling | 251-300ZFG |
| 3 3" Grooved x PE Nipple | 246-300 |
| 4 3" 90° Grooved Elbow | 241-90300 |
| 5 3" Flex Groove Coupling | 251-300FG |
| 6a 7" Slot Duck Bill Side Spray Head | 212-7-300 |
| 6b 7" x 3/32" Slot Flusher Head | 214-300-7x3/32 |
| 6c Side Spray Head (Fin Style) | 212-300 |

GROOVED SPRAY HEAD ASSEMBLY

ADJUSTABLE PATTERN SPRAY HEAD VALVE

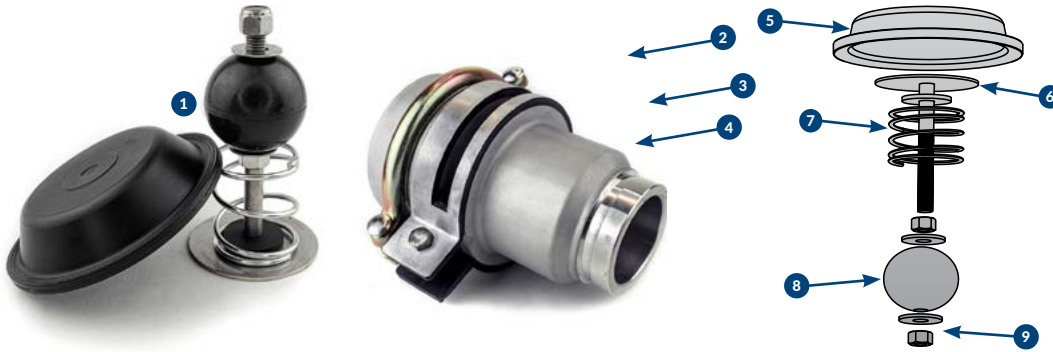
Aluminum Spray Head Valve, Grooved, Normally Closed



* Optional Electric Version of 191 Grooved Spray Head

| PART | SKU |
|--|--------------|
| 1-4 3" FULL KIT - SPRAY HEAD KIT | 191A-71A3 |
| 1-4* 3" FULL KIT - ELECTRIC SPRAY HEAD KIT - 12V | 192A-71A3-12 |
| 1-4* 3" FULL KIT - ELECTRIC SPRAY HEAD KIT - 24V | 192A-71A3-24 |
| 1 3" Grooved x Weld Nipple | 246-300 |
| 2 3" Angle Pad Groove Coupling | 251-300ZFG |
| 3 3" 90° Grooved Elbow | 241-90300 |
| 4 Grooved Spray Head | 191-71300 |

3" GROOVED SPRAY HEAD VALVE REBUILD KIT



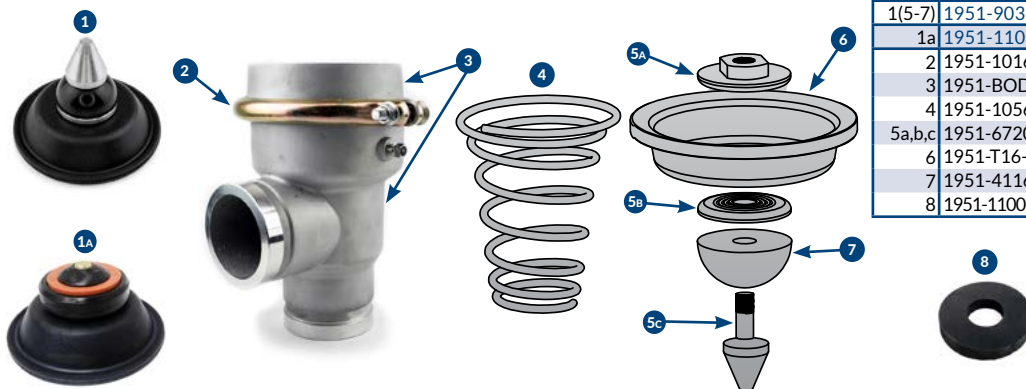
| | SKU | DESCRIPTION |
|--------|--------------|----------------------------|
| 1(5-9) | 1911-71A-KIT | COMPLETE REBUILD KIT |
| 2 | 1911-CAP | Valve Cap, 3" Spray Head |
| 3 | 1951-1016-6 | Valve Clamp, 1016 -6, T-16 |
| 4 | 1911-BAND | Valve Spray Adjuster Band |
| 5 | 1911-T16 | Valve Diaphragm, T-16 |
| 6 | 1911-QE716 | Valve Stem |
| 7 | 1911-QE715 | Valve Spring |
| 8 | 1911-QE714 | Valve Replacement Ball |
| 9 | 1911-MISC | Positioning Nuts / Washers |

3" HEAVY DUTY SPRAY HEAD VALVE REBUILD KIT



| | SKU | DESCRIPTION |
|---------|---------------|------------------------------|
| 1(5-10) | 1931-300KIT | COMPLETE REBUILD KIT |
| 2 | 1931-300213A | Heavy Duty Spray Head Spring |
| 3 | 1931-302912 | Valve Adjusting Ring Knob |
| 4 | 1931-300216 | Valve Adjuster Ring |
| 5 | 1711-300-1 | Valve Diaph Kit Bolt, 3" |
| 6 | 1711-625WSH | 5/8" Flat Washer SAE |
| 7a,b,c | 1711-300-345 | Valve Retainer Disc SET |
| 8 | 1711-113N6001 | O-Ring 113 |
| 9 | 1931-300208 | Valve Diaphragm, 3" Mega |
| 10 | 1711-300-5 | Valve Kit Seat, 3" |
| 11 | 1931-025771 | Mounting Plate |
| 12 | 1931-354502 | Mounting O-Ring |
| 13 | 1931-ME410042 | Eccentric Washer |
| 14 | 1911-QEV-025 | 3/4" Quick Exhaust Valve |

3" GROOVED TEE VALVE REBUILD KIT



| | SKU | DESCRIPTION |
|--------|----------------|--------------------------------------|
| 1(5-7) | 1951-9030KIT | COMPLETE REBUILD KIT NO SPRING (OLD) |
| 1a | 1951-1100KIT | COMPLETE REBUILD KIT NO SPRING (NEW) |
| 2 | 1951-1016-6 | Valve Clamp, 1016-6, T-16 |
| 3 | 1951-BODY | 195 Valve Body and Cap |
| 4 | 1951-1056SPG | Spring, Tee Valve |
| 5a,b,c | 1951-6720 | Valve, Aluminum Assembly |
| 6 | 1951-T16-P | Diaphragm, T-16, Punched |
| 7 | 1951-4116 | Valve Seat (Ball) |
| 8 | 1951-1100-SEAT | Seat, Tee Valve (New) |

THREADED CLA STYLE VALVE REBUILD KIT

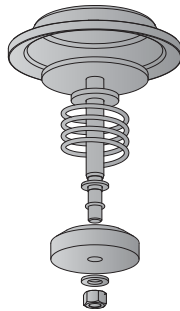


| | SKU | DESCRIPTION | SIZE |
|--------|-----------------|------------------------|--------|
| 1(5-7) | 1711-250-KIT | COMPLETE REBUILD KIT | 2-1/2" |
| 1(5-7) | 1711-300-KIT | COMPLETE REBUILD KIT | 3" |
| 2 | 1711-250SPG | Valve Spring | 2-1/2" |
| 2 | 1711-300SPG | Valve Spring | 3" |
| 3a | 1711-BONNET-AL | Valve Bonnet, Aluminum | 3" |
| 3s | 1711-BONNET-STL | Valve Bonnet, Steel | 3" |
| 4a | 1711-BODY-AL | Valve Body, Aluminum | 3" |
| 4s | 1711-BODY-STL | Valve Body, Steel | 3" |
| 5 | 1711-300-1 | Valve Kit Bolt | 3" |
| 6 | 1711-625WSH | 5/8" Flat Washer | 3" |
| 7a,b,c | 1711-300-345 | Valve Retainer Disc | 3" |
| 8 | 1711-113N6001 | O-Ring, 113 | 3" |
| 9 | 1711-250-7 | Valve Diaphragm | 2-1/2" |
| 9 | 1711-300-7 | Valve Diaphragm | 3" |
| 10 | 1711-250-5 | Valve Seat | 2-1/2" |
| 10 | 1711-300-5 | Valve Seat | 3" |

3" GROOVED NORMALLY CLOSED INLINE VALVE REBUILD KIT



* Gravity Valve Only!



| SKU | DESCRIPTION |
|---------------|----------------------|
| 1771-NCIV-KIT | COMPLETE REBUILD KIT |



F/E VALVE REBUILD KIT

| SKU | DESCRIPTION |
|-----|--|
| 1-2 | 1781-KIT COMPLETE REBUILD KIT |
| 1 | 1781-A3510 F/E Sales Valve Diaphragm |
| 2 | 1781-NEOSEAL F/E Sales Valve Seat (Seat 4" x 1/2") |



3" DOME DIAPHRAGM VALVE REBUILD KIT

| SKU | DESCRIPTION |
|----------|----------------------|
| 1723-300 | DOME DIAPHRAGM VALVE |



AGM STYLE VALVE REBUILD KIT

| SKU | DESCRIPTION |
|-----|--|
| 1-4 | 1961-SV410055-S COMPLETE REBUILD KIT W/ SPRING |
| 1-3 | 1961-SV410055 COMPLETE REBUILD KIT NO SPRING |
| 5 | 1961-SV4105-INS COMPLETE INSERT KIT NO SPRING |
| 1 | 1961-SV410033 Valve Seat Ring |
| 2 | 1961-SPRING Valve Spring |
| 3 | 1961-SV410038 Valve Seat |
| 4 | 1961-SV410035 Valve Diaphragm |



3" THREADED VALEW STYLE SPRAY HEAD REBUILD KIT



| SKU | DESCRIPTION |
|-----|--|
| 1-3 | 1791-KIT COMPLETE REBUILD KIT |
| 1 | 1911-T16 Valve Diaphragm, T-16 |
| 2 | 1791-100606 Valve Spring Retain Plate, Valew |
| 3 | 1791-100607 Valve Spring |
| 4 | 1911-CAP Valve Cap |
| 5 | 1951-1016-6 Valve Clamp, T-16 |
| 6 | 1791-101-103 Valve Body, Tall |
| 7 | 1791-101-104 Valve Body, Short |

GROOVE COUPLINGS

GROOVE COUPLINGS

RIGID COUPLINGS

Epoxy Coated Ductile Iron



| TYPE | SKU |
|------|-----------|
| 1" | 251-100RG |
| 1½" | 251-150RG |
| 2" | 251-200RG |
| 2½" | 251-250RG |
| 3" | 251-300RG |
| 4" | 251-400RG |
| 6" | 251-600RG |
| 8" | 251-800RG |

FLEXIBLE COUPLINGS

Epoxy Coated Ductile Iron



| TYPE | SKU |
|------|-----------|
| 2" | 251-200FG |
| 2½" | 251-250FG |
| 3" | 251-300FG |
| 4" | 251-400FG |

COUPLING GASKETS

EPDM Rubber



| TYPE | SKU |
|------|---------|
| 1" | 252-100 |
| 1½" | 252-150 |
| 2" | 252-200 |
| 2½" | 252-250 |
| 3" | 252-300 |
| 4" | 252-400 |
| 5" | 252-500 |
| 6" | 252-600 |
| 8" | 252-800 |

ANGLE PAD COUPLINGS

Epoxy Coated Ductile Iron



| TYPE | SKU |
|------|------------|
| 2" | 251-200ZFG |
| 2½" | 251-250ZFG |
| 3" | 251-300ZFG |
| 4" | 251-400ZFG |

COUPLING GASKETS

Buna Rubber, Fuel Rated



| TYPE | SKU |
|------|---------|
| 1" | 253-100 |
| 1½" | 253-150 |
| 2" | 253-200 |
| 2½" | 253-250 |
| 3" | 253-300 |
| 4" | 253-400 |
| 8" | 253-800 |

PUSH ON GASKET

EPDM Rubber



| TYPE | SKU |
|---------|-------------|
| 2.5" | 252-250POC |
| 3" | 252-300POC |
| 4" | 252-400POC |
| 4" x 3" | 252-400x300 |

REDUCING COUPLINGS

Epoxy Coated Ductile Iron



| TYPE | SKU |
|----------|-------------|
| 2½" x 2" | 251-250x200 |
| 3" x 2" | 251-300x200 |
| 3" x 2½" | 251-300x250 |
| 3½ x 3" | 251-350x300 |
| 4" x 3" | 251-400x300 |
| 5" x 4" | 251-500x400 |
| 3½" x 3" | 251-350x300 |

REDUCING GASKETS

EPDM Rubber



| TYPE | SKU |
|----------|-------------|
| 2½" x 2" | 252-250x200 |
| 3" x 2" | 252-300x200 |
| 3" x 2½" | 252-300x250 |
| 4" x 3" | 252-400x300 |

PUSH ON COUPLINGS

EPDM Rubber (Angle Pad)



| TYPE | SKU |
|------|------------|
| 2.5" | 251-250POC |
| 3" | 251-300POC |
| 4" | 251-300POC |
| 6" | 251-600POC |

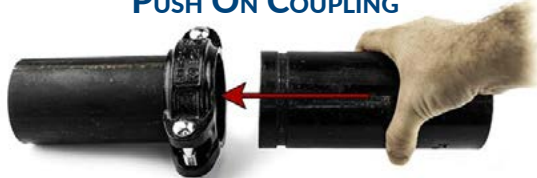
HINGED COUPLING

Painted Ductile Iron



| TYPE | SKU |
|------|---------------|
| 2½" | 251-250-HINGE |
| 3" | 251-300-HINGE |
| 4" | 251-400-HINGE |

PUSH ON COUPLING



These couplings allow for quick installation and removal of grooved pipes in just seconds—no need for disassembly.

COUPLING VARIATIONS



FLEXIBLE COUPLINGS

These make alignment easier and help preserve the life of your pipes & pump.

RIGID COUPLINGS

These allow for very little movement for straighter alignment with less sag.

ANGLE PAD COUPLINGS

These allow no flex in the pipe connection, best for unsupported areas of pipe & spray heads.

GROOVE ELBOWS

90° SHORT RADIUS
Epoxy Coated Ductile Iron



| TYPE | SKU |
|---------------|----------------|
| 3" | 241-90300SRG |
| 3" Galvanized | 241-90300SRG-G |
| 4" | 241-90400SRG |

45°
Epoxy Coated Ductile Iron



| TYPE | SKU |
|---------------|-------------|
| 2½" | 241-45250 |
| 3" | 241-45300 |
| 3" Galvanized | 241-45300-G |
| 4" | 241-45400 |

90°
Aluminum



| TYPE | SKU |
|------|-------------|
| 3" | 241-90300AL |

90°
Epoxy Coated Ductile Iron



| TYPE | SKU |
|---------------|-------------|
| 2" | 241-90200 |
| 2½" | 241-90250 |
| 3" | 241-90300 |
| 3" Galvanized | 241-90300-G |
| 4" | 241-90400 |
| 4" Galvanized | 241-90400-G |

90° GROOVE x THREAD
Epoxy Coated Ductile Iron



| TYPE | SKU |
|------|-----------|
| 2½" | 242-90250 |
| 3" | 242-90300 |

GROOVE TEES, CROSS & CAPS

SHORT RADIUS TEE
Epoxy Coated Ductile Iron



| TYPE | SKU |
|---------------|-------------|
| 4" | 243-400SR |
| 4" Galvanized | 243-400SR-G |

REDUCING TEE
Epoxy Coated Ductile Iron



| TYPE | SKU |
|-------------------------|---------------|
| 3" x 3" x 2" | 243-300x200 |
| 3" x 3" x 2½" | 243-300x250 |
| 4" x 4" x 3" | 243-400x300 |
| 4" x 4" x 3" Galvanized | 243-400x300-G |

TEE
Epoxy Coated Ductile Iron



| TYPE | SKU |
|---------------|-----------|
| 2½" | 243-250 |
| 3" | 243-300 |
| 3" Galvanized | 243-300-G |

CROSS
Epoxy Coated Ductile Iron



| TYPE | SKU |
|------|---------|
| 3" | 248-300 |

CAP
Epoxy Coated Ductile Iron



| TYPE | SKU |
|------|---------|
| 2" | 247-200 |
| 2½" | 247-250 |
| 3" | 247-300 |
| 4" | 247-400 |
| 3" | 247-300 |
| 4" | 247-400 |



SWIVELS

STYLE 20 - STRAIGHT
Aluminum or Cast Iron, NPT



| TYPE | SKU |
|---------------|-----------|
| 1½" Aluminum | 273-125 |
| 1½" Aluminum | 273-150 |
| 1½" Cast Iron | 273-150CI |
| 3" Aluminum | 273-300 |
| 4" Aluminum | 273-400 |

STYLE 30 - 90°
Cast Iron or Aluminum, NPT



| TYPE | SKU |
|---------------|-------------|
| 1½" Cast Iron | 271-90150CI |
| 3" Cast Iron | 271-90300CI |
| 4" Aluminum | 271-90400 |

STYLE 40 - 180°
Aluminum, NPT



| TYPE | SKU |
|------|------------|
| 3" | 272-180300 |
| 4" | 272-180400 |

ELECTRIC STRAIGHT SWIVEL
12V, Grooved, Threaded



Control box & harness included

| TYPE | SKU |
|--------------------------|----------|
| 3" Grooved, 2½" Threaded | 273-RJ65 |

GROOVE NIPPLES

GROOVE x NPT
Schedule 40 Steel



| TYPE | SKU |
|---------------|-------------|
| 1½" | 245-150 |
| 2" | 245-200 |
| 2½" | 245-250 |
| 3" | 245-300 |
| 4" | 245-400 |
| 2" x 4" | 245-200x400 |
| 2½" x 4" | 245-250x400 |
| 3" x 4" | 245-300x400 |
| 3" x 6" | 245-300x600 |
| 3" x 8" | 245-300x800 |
| 4" x 6" | 245-400x600 |
| 3" Galvanized | 245-300-G |

GROOVE x WELD
Schedule 40 Steel



| TYPE | SKU |
|----------|-------------|
| 2" | 246-200 |
| 2½" | 246-250 |
| 2½" x 6" | 246-250x600 |
| 3" | 246-300 |
| 3" x 6" | 246-300x600 |
| 3" x 8" | 246-300x800 |
| 4" | 246-400 |
| 4" x 6" | 246-400x600 |
| 4" x 8" | 246-400x800 |
| 5" | 246-500 |

OTHER NIPPLES

THREAD x HOSE BARB NIPPLE
Plated Steel, NPT



| TYPE | SKU |
|-----------|-------------|
| ¾" | 238-075 |
| ½" | 238-050 |
| 1" | 238-100 |
| 1¼" | 238-125 |
| 1¼" x 1½" | 238-125x150 |
| 1½" | 238-150 |
| 2" | 238-200 |
| 2½" | 238-250 |
| 3" | 238-300 |
| 4" | 238-400 |

THREADED CLOSE NIPPLE
Schedule 40 Steel, NPT



| TYPE | SKU |
|------|-----------|
| ¼" | 236-025CL |
| ½" | 236-050CL |
| ¾" | 236-075CL |
| 1¼" | 236-125CL |
| 1½" | 236-150CL |
| 2" | 236-200CL |
| 2½" | 236-250CL |
| 3" | 236-300CL |
| 4" | 236-400CL |

GROOVE x NOTCH
Malleable Iron



| TYPE | SKU |
|------|---------|
| 2½" | 249-250 |
| 3" | 249-300 |

GROOVE x HOSE BARB
Plated Steel



| TYPE | SKU |
|------|---------|
| 1½" | 244-150 |
| 2" | 244-200 |
| 2½" | 244-250 |
| 3" | 244-300 |
| 4" | 244-400 |

WELD x HOSE BARB NIPPLE
Schedule 40 Steel



| TYPE | SKU |
|------|---------|
| 2½" | 237-250 |
| 3" | 237-300 |
| 4" | 237-400 |

THREADED NIPPLE
Schedule 40 Steel, NPT



| TYPE | SKU |
|----------|--------------|
| 1" x 6" | 236-100x600 |
| 1½" x 6" | 236-150x600 |
| 2" x 4" | 236-200x400 |
| 2" x 6" | 236-200x600 |
| 2" x 8" | 236-200x800 |
| 2½" x 4" | 236-250x400 |
| 2½" x 6" | 236-250x600 |
| 2½" x 8" | 236-250x800 |
| 3" x 4" | 236-300x400 |
| 3" x 6" | 236-300x600 |
| 3" x 8" | 236-300x800 |
| 3" x 10" | 236-300x1000 |
| 3" x 12" | 236-300x1200 |
| 4" x 6" | 236-400x600 |
| 4" x 8" | 236-400x800 |
| 4" x 10" | 236-400x1000 |
| 4" x 12" | 236-400x1200 |

GROOVE x GROOVE
Schedule 40 Steel



TYPE
Custom Lengths Available

THREAD x WELD NIPPLE
Schedule 40 Steel



| TYPE | SKU |
|---------|-------------|
| 1" | 239-100 |
| 1½" | 239-150 |
| 2½" | 239-250 |
| 3" | 239-300 |
| 3" x 6" | 239-300x600 |
| 3" x 8" | 239-300x800 |
| 4" | 239-400 |

GROOVE REDUCERS

GROOVE x GROOVE
Painted Ductile Iron



| TYPE | SKU |
|----------|-------------|
| 3" x 2½" | 256-300x250 |
| 4" x 3" | 256-400x300 |

GROOVE x THREAD
Painted Ductile Iron



| TYPE | SKU |
|----------|-------------|
| 3" x 2½" | 248-300x250 |
| 3" x 2" | 248-300x200 |

ELBOWS

90° SHORT RADIUS WELD ELBOW Schedule 40 Steel



| TYPE | SKU |
|------|-------------|
| 2½" | 231-90250SR |
| 3" | 231-90300SR |

45° WELD ELBOW Schedule 40 Steel



| TYPE | SKU |
|------|-----------|
| 2½" | 231-45250 |
| 3" | 231-45300 |
| 4" | 231-45400 |

90° WELD ELBOW Schedule 40 Steel



| TYPE | SKU |
|------|-----------|
| 2½" | 231-90250 |
| 3" | 231-90300 |
| 4" | 231-90400 |
| 5" | 231-90500 |

90° THREADED ELBOW Malleable Iron, NPT



| TYPE | SKU |
|------|-----------|
| 1¼" | 232-90125 |
| 1½" | 232-90150 |
| 2½" | 232-90250 |
| 3" | 232-90300 |
| 4" | 232-90400 |

45° THREADED ELBOW Malleable Iron, NPT



| TYPE | SKU |
|------|-----------|
| 2½" | 232-45250 |
| 3" | 232-45300 |
| 4" | 232-45400 |

90° STREET ELBOW Malleable Iron, NPT



| TYPE | SKU |
|------|-----------|
| ¾" | 233-90075 |
| 1¼" | 233-90075 |
| 1½" | 233-90150 |
| 2" | 233-90200 |
| 2½" | 233-90250 |
| 3" | 233-90300 |
| 4" | 233-90400 |

TEES

THREADED TEE Malleable Iron, NPT



| TYPE | SKU |
|------|----------|
| 2½" | 235-250T |
| 3" | 235-300T |
| 4" | 235-400T |

WELD TEE Schedule 40 Steel



| TYPE | SKU |
|------|----------|
| 2" | 234-200T |
| 2½" | 234-250T |
| 3" | 234-300T |
| 4" | 234-400T |

COUPLINGS / REDUCERS

REDUCER Schedule 40 Steel



| TYPE | SKU |
|----------|--------------|
| 3" x 2" | 2316-300x200 |
| 3" x 2½" | 2316-300x250 |
| 4" x 3" | 2316-400x300 |
| 5" x 4" | 2316-500x400 |

BELL REDUCER Malleable Iron, NPT



| TYPE | SKU |
|----------|--------------|
| ½" x ¼" | 2315-050x025 |
| 2½" x 2" | 2315-250x200 |
| 3" x 2" | 2315-300x200 |
| 3" x 2½" | 2315-300x250 |
| 4" x 3" | 2315-400x300 |

HEX BUSHINGS Malleable Iron, NPT



(please call for other sizes)

| TYPE | SKU |
|-----------|--------------|
| ½" x ¼" | 2317-050x025 |
| ¾" x 1½" | 2317-075x050 |
| 1½" x 1" | 2317-150x100 |
| 1½" x 1¼" | 2317-150x125 |
| 2½" x ½" | 2317-250x050 |
| 2½" x 2" | 2317-250x200 |
| 3" x 1½" | 2317-300x150 |
| 3" x 2" | 2317-300x200 |
| 3" x 2½" | 2317-300x250 |
| 4" x 3" | 2317-400x300 |

THREADED CAP Malleable Iron, NPT



| TYPE | SKU |
|------|----------|
| 1½" | 2311-150 |
| 2" | 2311-200 |
| 2½" | 2311-250 |
| 3" | 2311-300 |
| 4" | 2311-400 |

MERCHANT COUPLING Malleable Iron, NPT



| TYPE | SKU |
|------|-----------|
| ¾" | 2318-025 |
| 3/8" | 2318-0375 |
| ½" | 2318-050 |
| ¾" | 2318-075 |
| 1" | 2318-100 |
| 1½" | 2318-150 |
| 2" | 2318-200 |
| 2½" | 2318-250 |
| 3" | 2318-300 |
| 4" | 2318-400 |

ALUMINUM CAMLOCK FITTINGS

STYLE A
Male Cam / Female Threads



| TYPE | SKU |
|------|----------|
| 1½" | 262-150A |
| 2" | 262-200A |
| 2½" | 262-250A |
| 3" | 262-300A |
| 4" | 262-400A |
| 5" | 262-500A |
| 6" | 262-600A |

STYLE B
Female Cam / Male Threads



| TYPE | SKU |
|------|----------|
| 1½" | 264-150B |
| 2" | 264-200B |
| 2½" | 264-250B |
| 3" | 264-300B |
| 4" | 264-400B |
| 5" | 264-500B |
| 6" | 264-600B |

STYLE C
Female Cam / Hose Barb



| TYPE | SKU |
|------|----------|
| 1½" | 266-150C |
| 2" | 266-200C |
| 2½" | 266-250C |
| 3" | 266-300C |
| 4" | 266-400C |
| 5" | 266-500C |
| 6" | 266-600C |

STYLE D
Female Cam / Female Threads



| TYPE | SKU |
|------|----------|
| 1½" | 263-150D |
| 2" | 263-200D |
| 2½" | 263-250D |
| 3" | 263-300D |
| 4" | 263-400D |
| 5" | 263-500D |
| 6" | 263-600D |

STYLE E
Male Cam / Hose Barb



| TYPE | SKU |
|------|----------|
| 1½" | 265-150E |
| 2" | 265-200E |
| 2½" | 265-250E |
| 3" | 265-300E |
| 4" | 265-400E |
| 5" | 265-500E |
| 6" | 265-600E |

STYLE F
Male Cam / Male Threads



| TYPE | SKU |
|------|----------|
| 1½" | 261-150F |
| 2" | 261-200F |
| 2½" | 261-250F |
| 3" | 261-300F |
| 4" | 261-400F |
| 5" | 261-500F |
| 6" | 261-600F |

DUST PLUG
Male Cam



| TYPE | SKU |
|------|-----------|
| 1½" | 268-150DP |
| 2" | 268-200DP |
| 2½" | 268-250DP |
| 3" | 268-300DP |
| 4" | 268-400DP |
| 5" | 268-500DP |
| 6" | 268-600DP |

DUST CAP
Female Cam



| TYPE | SKU |
|------|-----------|
| 1½" | 267-150DC |
| 2" | 267-200DC |
| 2½" | 267-250DC |
| 3" | 267-300DC |
| 4" | 267-400DC |
| 5" | 267-500DC |
| 6" | 267-600DC |

CAMLOCK ELBOWS
Female Cam / Female Threads

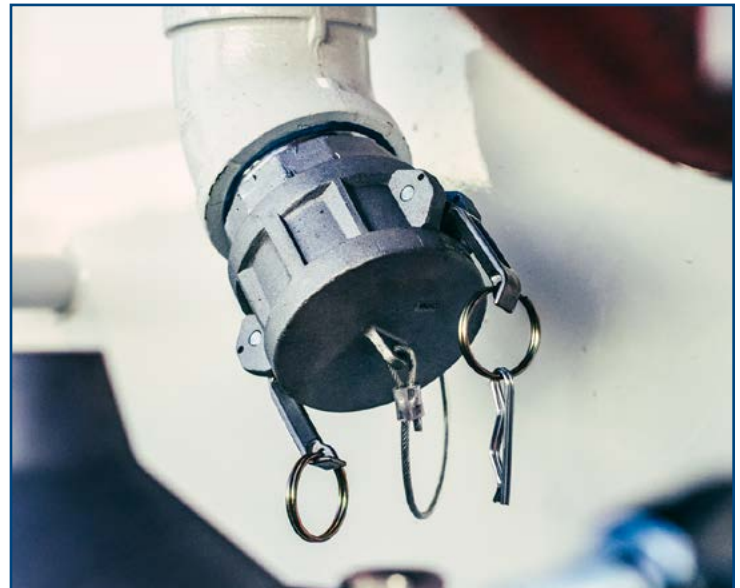


| TYPE | SKU |
|------|-----------|
| 2½" | 269-25090 |

CAMLOCK GASKETS
BUNA Rubber



| TYPE | SKU |
|------|----------|
| 1½" | 2671-150 |
| 2" | 2671-200 |
| 2½" | 2671-250 |
| 3" | 2671-300 |



RAASM LUBE & FUEL HOSE REELS, GREASE PUMPS & MORE

WE NOW CARRY RAASM LUBE AND FUEL PRODUCTS!

Access Truck Parts is now an exclusive distributor of all genuine Raasm lube and fuel parts and equipment. Below is a sampling of parts we currently have in stock from the thousands of parts we are able to source directly from the manufacturer. From cutting-edge membrane pumps and oil hose reels to robust fuel transfer systems, Raasm's extensive catalog of products goes far beyond what we can include here. Experience the confidence that comes with choosing Access Truck Parts as your exclusive source for Raasm products. Expand your capabilities and equipment with the finest Raasm parts backed by the expertise and dedication of our team. For more information on the products we have available and how to order, please give one of our parts specialists a call at 602-437-6948.



AIR OPERATED DIAPHRAGM PUMPS

For pumping oils, antifreeze, diesel fuel & more



| TYPE | SKU |
|--|----------------------|
| 1" Aluminum, 1:1 Comp, 45GPM, "NBR" Membrane | 401-3CC/26111NHH-55 |
| ½" Poly / Alum 1:1 Comp, "NBR" Membrane | 401-2BC/16117NH5-55 |
| ½" Poly / Alum 1:1 Comp, 15.8 GPM, Dual Inlet, NBR | 401-2BH/16117NH52-55 |
| ¾" 18.5 GPM, Aluminum | 401-32/2011NHH2-55 |

HOSE REELS

For delivering oils, grease, diesel, antifreeze & more



| TYPE | SKU |
|------------------------------|-----------------|
| 50' x 3/8", Grease | 402-8430.506-55 |
| 50' x ½", Oil | 402-8430.402-55 |
| 50' x 1/2", Air / Water | 402-8430.104-55 |
| 50' x 3/4", Series 540 | 402-8540.601-55 |
| 50' x 1", Series 540, Diesel | 402-8540.603-55 |

PNEUMATIC PUMPS

For pumping oil, diesel, antifreeze & more directly from a container



| TYPE | SKU |
|--|--------------|
| Series 238, 5:1, Oil, 5.50 gpm | 403-36161-55 |
| Series 238, 5:1, Oil, 5.50 gpm w/bung adapter | 403-36167-55 |
| Series 238, 50:1, Grease, 3.3 lb/min 120 lb container | 403-62174-55 |
| Series 238, 3:1, Oil, 4.40 gpm, "NBR" seals, 1" suction tube | 403-35561-55 |

GREASE DRUM KITS

For pumping grease from a storage drum



| TYPE | SKU |
|---|---------------|
| Grease Dispenser Kit w/pump, 120lb Drum | 404-64143-55 |
| Grease Drum Tie Down kit for pump with 1.18" downtube, 120lb Drum | 4041-65709-55 |
| Grease Drum Follower Plate, 120lb Drum, 13.2"-14.2" ID | 4041-66370-55 |

DISPENSING VALVES

For dispensing oil, diesel, antifreeze & more



| TYPE | SKU |
|---|--------------|
| ½", Oil w/ digital meter | 405-37754-55 |
| 1/4", Grease, Z-Swivel w/Flexible Extension | 405-66889-55 |
| 1/2", Oil w/ Lever Locking Button | 405-37738-55 |
| 1/2", Oil, Metered, w/ Lever Locking Button | 405-37739-55 |

DIVERTER / FLOW VALVE

For extraction and discharge of oil, hydraulic fluid, antifreeze & more



| TYPE | SKU |
|---------------------|--------------|
| 1" FNPT, 4-way Evac | 406-38131-55 |

THE TEMPEST 12V/24V WATER CANNON

The TEMPEST water cannon

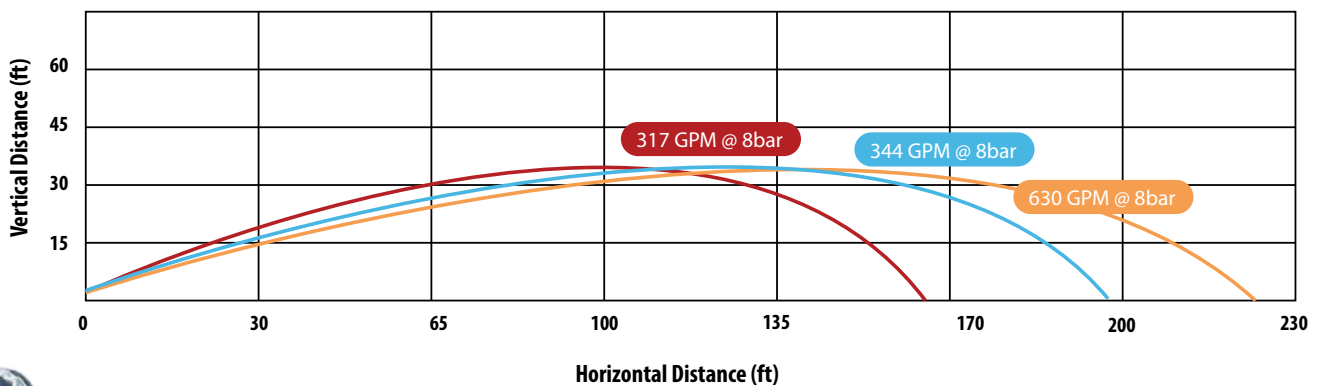


288-TSKD20-40SS

The Tempest 12V/24V electric water cannon is made from 304 stainless steel. A fully adjustable nozzle and integrated joystick change flow from straight stream to fog and turn 340° horizontal and 180° vertical. A plug and play control box and wiring harness make set up quick and easy.

Find all of The Tempest Water Cannon upgrades, addons, and replacement parts on our website
[AccessTruckParts.com/tempest](https://www.AccessTruckParts.com/tempest)

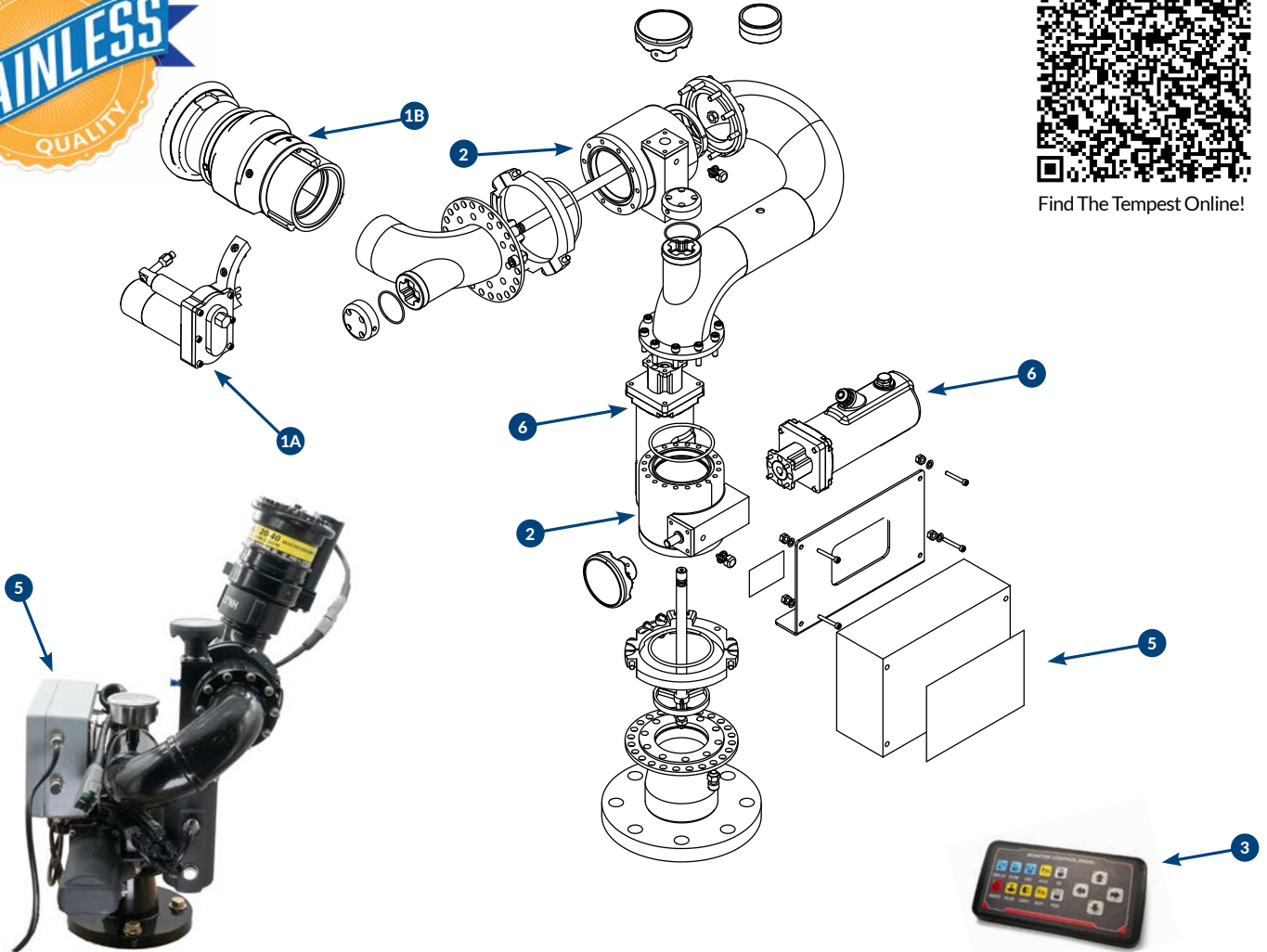
Spray Performance Chart



TEMPEST CANNON PARTS DIAGRAM



Find The Tempest Online!



Remote Control



Joystick

TEMPEST CONTROL VALVE (OPTIONAL)
Air-to-Open / Spring Return



| TYPE | SKU |
|------|--------------|
| 3" | 173B-300-SRE |



Optional 24V to 12V transformer available

ALL INCLUSIVE KIT

- ✓ CONTROL BOX
- ✓ MONITOR
- ✓ JOYSTICK
- ✓ HARNESS

PARTS CONTINUED ON NEXT PAGE

TEMPEST CANNON UPGRADE & REPLACEMENT PARTS

JET SPRAY NOZZLE



| TYPE | SKU |
|-----------------|------------------|
| 1A Nozzle Motor | 2881-W3004009 |
| 1B Nozzle Only | 2881-S204502101 |
| Nozzle & Motor | 2881-PTZCDP2040A |

MONITOR SWIVEL ASSEMBLY



| TYPE | SKU |
|--------------------|-----------------|
| Replacement Swivel | 2881-S204802301 |

MONITOR REMOTE CONTROL



| TYPE | SKU |
|----------------|------------|
| Remote Control | 2881-WP1-3 |

24 VOLT TRANSFORMER



| TYPE | SKU |
|------|---------------|
| 24V | 2881-DCP24/12 |

MONITOR CONTROL BOX



| TYPE | SKU |
|----------------------|-------------|
| Control Box w/ Leads | 2881-NCU-09 |

MONITOR MOTOR ASSEMBLY



| TYPE | SKU |
|------|-----------------|
| 12V | 2881-S204802401 |

JOYSTICK MONITOR CABLE



| TYPE | SKU |
|------|----------------|
| 40' | 2881-CTRL-CB01 |

MONITOR JOYSTICK



| TYPE | SKU |
|----------|---------------|
| One Size | 2881-CTRL-J01 |

The new Tempest is equipped with more powerful motors and an entirely updated control system. Our control boxes and cables have been reduced and integrated onto the cannon itself to improve space efficiency and ease of installation.

Find all of The Tempest Water Cannon upgrades, addons, and replacement parts on our website
AccessTruckParts.com/tempest

TANK HARDWARE

DRESSER PIPE COUPLING



| TYPE | SKU |
|------|---------|
| 3" | 255-300 |
| 4" | 255-400 |

TANK SPRING



| TYPE | SKU |
|----------|--------------|
| Standard | SPRING-WTRTK |

HYDRAULICS

HYDRAULIC MOTORS

M20, MK20, M50, MK50, M75



| TYPE | SKU |
|--|-----|
| Please call for more info and pricing. | |

HYDRAULIC PUMP ADAPTER

Keyed/Splined Coupling Included



| TYPE | SKU |
|------------------|------------|
| B3Z Framed Pumps | 115-B07779 |

HYDRAULIC COUPLING

B3Z/B3J, B4J



| TYPE | SKU |
|-------------------------|------------|
| 1-1/4" 14 Tooth Splined | 116-M10176 |

U-JOINTS



| TYPE | SKU |
|---------------------|----------|
| 1000 Series U-Joint | 345-1000 |
| 1310 Series U-Joint | 345-1310 |

1000 SERIES END YOKE



| TYPE | SKU |
|------------------------|------------|
| 1-1/4" x 5/16" Key | 343-1025 |
| 1-1/8" x 1/4" Key | 343-1125 |
| 7/8" x 13 Tooth Spline | 343-0875SP |

1310 SERIES END YOKE



| TYPE | SKU |
|--------------------|----------|
| 1-1/8" x 1/4" Key | 344-1125 |
| 1-1/4" x 5/16" Key | 344-1025 |
| 1-1/2" x 3/8" Key | 344-1050 |

BRUSH HAWK ELECTRIC WATER CANNON

12V/24V ELKHART BRUSH HAWK CANNON
Aluminum construction, CANbus enabled



Monitor only.



All components sold separately.

| TYPE | SKU |
|-------------------------------------|---------------|
| 2" x 1½" Waterway Brush Hawk Cannon | 2841-08495002 |

12V/24V BRUSH HAWK JOYSTICK
Used with Brush Hawk Cannon



| TYPE | SKU |
|--------------------------------|---------------|
| 12/24 Volt Brush Hawk Joystick | 2841-81899000 |

BRUSH HAWK WIRING HARNESS
Used with Brush Hawk Cannon



2841-37543002



2841-37543030

| TYPE | SKU |
|-------------------------------------|---------------|
| 12/24 Volt Brush Hawk Harness - 2' | 2841-37543002 |
| 12/24 Volt Brush Hawk Harness - 20' | 2841-37543020 |
| 12/24 Volt Brush Hawk Harness - 30' | 2841-37543030 |

12V/24V ELECTRIC BALL VALVE
Used with Brush Hawk Cannon



| TYPE | SKU |
|-----------------------|---------------|
| 12/24 Volt Ball Valve | 2841-70213001 |

12V/24V ADJUSTABLE NOZZLE
Used with Brush Hawk Cannon



350GPM

| TYPE | SKU |
|------------------------------|---------------|
| 12/24 Volt Adjustable Nozzle | 2841-05000058 |

NITRO ELECTRIC WATER CANNON

12V/24V ELKHART NITRO CANNON
Monitor, Joystick, Harness & Control Box



Standard nozzle: 500GPM

| TYPE | SKU |
|-------------------------------------|----------|
| 2½" x 2½" Waterway Nitro Cannon Kit | 286-8100 |

NITRO CANNON ADJUSTABLE NOZZLE
Variable Stream from Fog to Straight



500GPM

| TYPE | SKU |
|------------------------------|--------------|
| 12/24 Volt Adjustable Nozzle | 2861-7000803 |

NITRO CANNON JOYSTICK
Included with Cannon



| TYPE | SKU |
|---------------------------|---------------|
| 12/24 Volt Nitro Joystick | 2861-41067000 |

CANNON NOZZLES

STRAIGHT STREAM NOZZLES
Brass and Aluminum



| TYPE | SKU |
|------------------------------|---------------|
| 1½" Aluminum Straight Stream | 2831-66761007 |
| 1½" Brass Straight Stream | 311-150 |
| 2½" Brass Straight Stream | 311-250 |

MANUAL CANNONS

ELKHART MANUAL CANNON
Aluminum Construction, Threaded



Shown with optional 1-1/2" Straight Stream Nozzle

| TYPE | SKU |
|------------------------------|----------|
| 2x1½" Waterway Manual Cannon | 283-8492 |
| 1½" Brass Straight Stream | 311-150 |
| 2½" Brass Straight Stream | 311-250 |

PS20-40 MANUAL CANNON
Aluminum Construction, Flanged

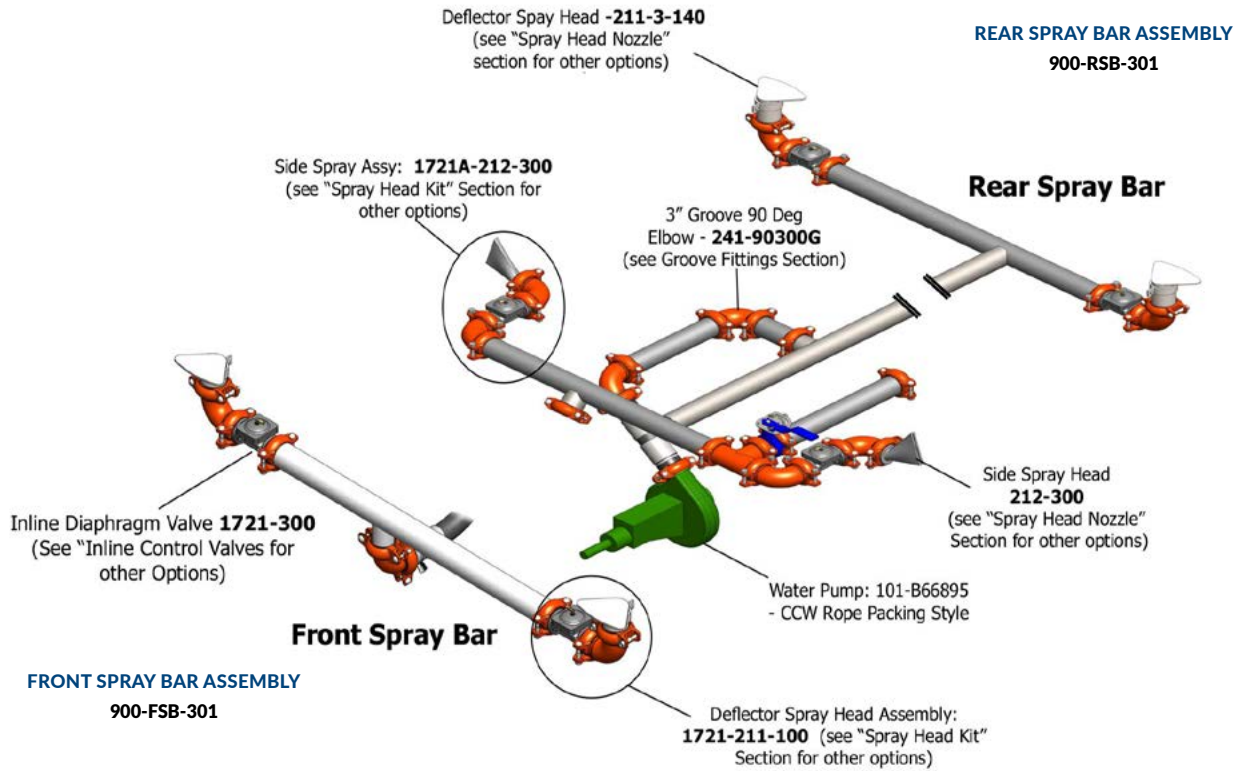


Adjustable nozzle included

| TYPE | SKU |
|-----------------------------|----------------|
| 3" Flange x 2-1/2" Waterway | 281-PS20-40W-C |
| 1½" Brass Straight Stream | 311-150 |
| 2½" Brass Straight Stream | 311-250 |

STANDARD PLUMBING LAYOUT

STANDARD PLUMBING LAYOUT



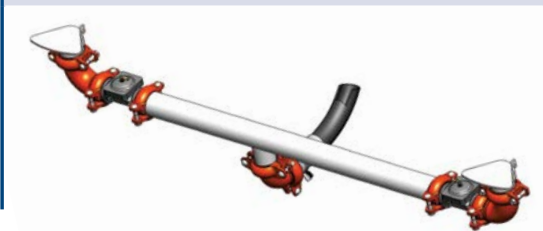
FRONT SPRAY BAR ASSEMBLY

This Front Spray Bar Assembly comes with everything you need to add an entire spray bar to the front of your Water Truck. Includes grooved pipe, couplings, elbows, deflector spray heads, inline control valves, front bumper mounts and air fittings/tubes.

REAR SPRAY BAR ASSEMBLY

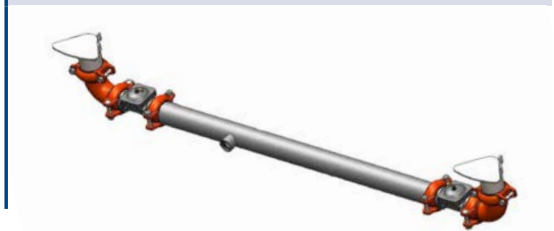
This Rear Spray Bar Assembly comes with everything you need to add an entire spray bar to the back of your Water Truck. Includes grooved pipe, couplings, elbows, deflector spray heads, inline control valves and air fittings/tubes.

FRONT SPRAY BAR
900-FSB-301



| TYPE | SKU |
|-------------------------------------|--------------------|
| 60" Groove Pipe | 2410-3x60.000 |
| GROOVE X NOTCH NIPPLE | 249-300 |
| 3" INLINE GROOVE VALVE | 1721-300 |
| 3" DEFLECTOR FAN SPRAY HEAD (SHORT) | 211-3-100 |
| 3" 90° GROOVE ELBOW | 241-90300 |
| 3" x 2.5" Reducing Coupling | 251-300x250 |
| 2.5" Groove x Hose Barb Nipple | 244-250 |
| Front Bumper Mount | 900-FRONTBRKT |
| 3" Zero Flex Groove Coupling | 251-300ZFG |
| 1/4 x 1/8 Male Elbow Air Fitting | 32604-NE90M25P125S |
| Black 1/4 Air Tubing | 32608-PU4BLK |
| 3" Galvanized | 245-300-G |

REAR SPRAY BAR
900-RSB-301



| TYPE | SKU |
|-------------------------------------|--------------------|
| 60" Groove Pipe | 2410-3x60.000 |
| GROOVE X NOTCH NIPPLE | 249-300 |
| 3" INLINE GROOVE VALVE | 1721-300 |
| 3" DEFLECTOR FAN SPRAY HEAD (SHORT) | 211-3-100 |
| 3" 90° GROOVE ELBOW | 241-90300 |
| 1/4 X 1/8 Male Elbow Air Fitting | 32604-NE90M25P125S |
| Black 1/4 Air Tubing | 32608-PU4BLK |
| 3' Zero Flex Groove Coupling | 251-300ZFG |

SUCTION LOADING (CREEK FILL)

Non Self-Priming Pumps

- To sufficiently flood the pump volute and fill hose before operation, there must be enough water left in the tank. When this is not the case, water can be drawn into the pump with the installation of a hand primer.

SUCTION LIFT WITH HAND PRIMER PUMP

- Close air tight valve on discharge of Primer.
- Open hand primer isolation valve. Work handle of hand primer up and down to evacuate air from the suction line.
- When water flows freely from primer, close Hand Primer isolation valve. (Pump case should now be filled with water). Proceed to normal loading procedure.

Protek
Primer



DP5: 327-DP5

ATP
Primer



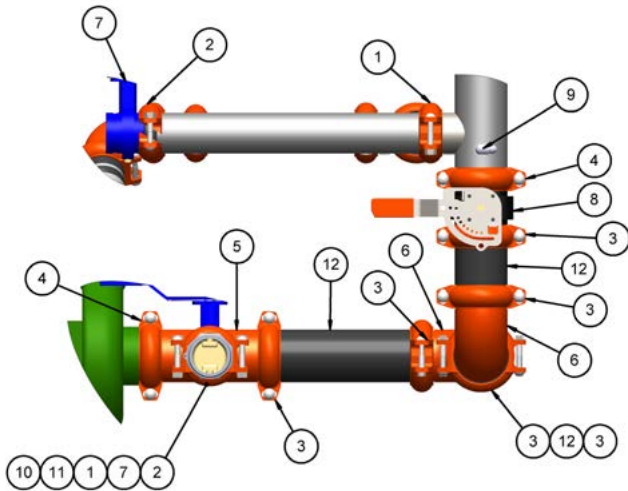
327-ATP7

Guzzler
Primer

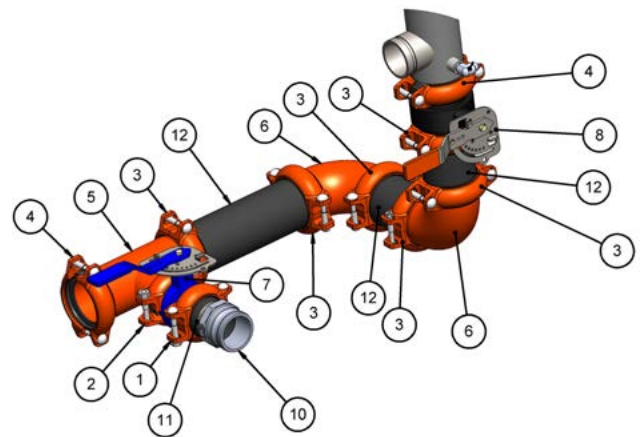


327-GH0400

- Connect fill hose to cam-lock fitting (10) on suction plumbing and lower Foot Valve into water source.
- Close 4" butterfly valve (8) between tank supply and suction side of pump. Open the butterfly valve (7) between pump and fill hose and open the butterfly valve (7) between discharge side of pump and return to tank.
- Engage pump and operate at 2000 RPM. If pump isn't moving water at this point, while the pump is engaged:
 - » Simultaneously close the valve between pump hose (7) and open 4" tank supply valve (8), creating a flow of water through the pump.
 - » Next, reverse these valves at the same time and the resulting momentum of flow through the pump should start filling the tank.
- If system STILL won't prime, check the valve positioning, check for obstructions behind the pump, check if the pump shaft is broken, ensure ALL hose connections are air tight and that the foot valve or strainer is not blocked or obstructed.



Side View



Top View

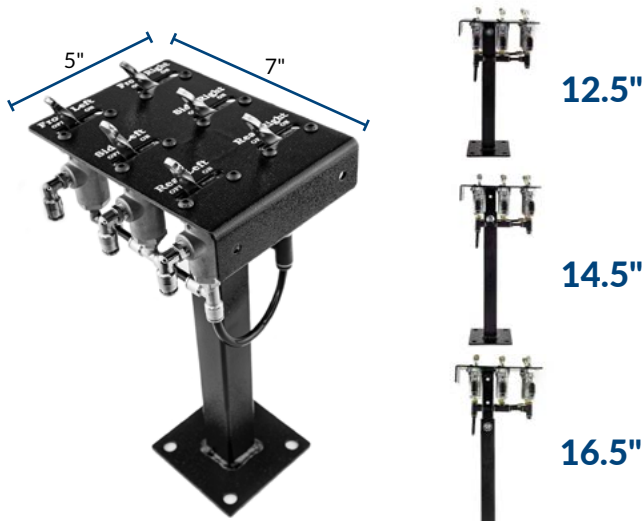
| ITEM#: | QTY | PART# | DESCRIPTION |
|--------|-----|---------------|----------------------------------|
| 1-12 | | 900-SP300 | SUCTION PLUMBING KIT |
| 1 | 2 | 251-300FG | 3" Flexible Groove Clamp |
| 2 | 2 | 251-300ZFG | 3" Angle Pad Groove Clamp |
| 3 | 6 | 251-400FG | 4" Flexible Groove Clamp |
| 4 | 2 | 251-400ZFG | 4" Angle Pad Groove Clamp |
| 5 | 1 | 243-400x300-G | 4" x 4" x 3" Reducing Groove Tee |

| ITEM#: | QTY | PART# | DESCRIPTION |
|--------|-----|-------------|----------------------------------|
| 6 | 2 | 241-90400-G | 4" 90 Deg Groove Elbow |
| 7 | 2 | 182-300 | 3" Groove Butterfly Valve |
| 8 | 1 | 182-400 | 4" Groove Butterfly Valve |
| 10 | 1 | 262-300A | 3" MCAM x FMPT |
| 11 | 1 | 245-300 | 3" Groove x 3" MPT Nipple |
| 12 | 1 | - | Extension Pipe, Length will Vary |

AIR CONTROL PANELS

OPEN CONTROL PANEL

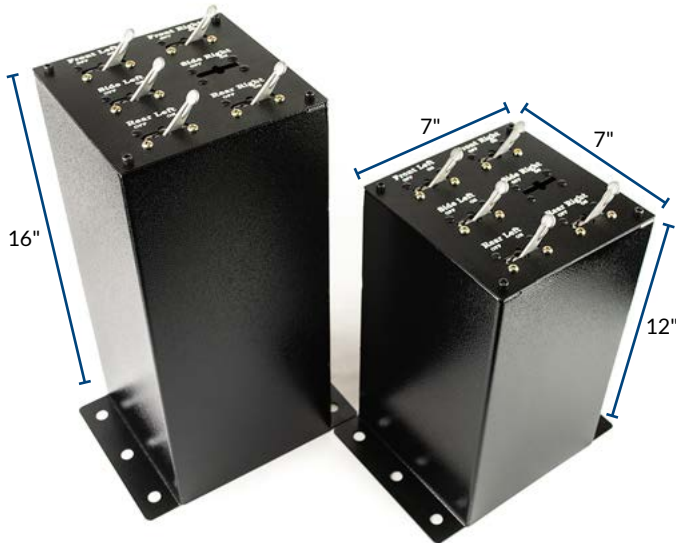
Painted Steel, Adjustable Height



| TYPE | SKU |
|----------|-------|
| 2 Switch | 325-2 |
| 3 Switch | 325-3 |
| 4 Switch | 325-4 |
| 5 Switch | 325-5 |
| 6 Switch | 325-6 |
| 8 Switch | 325-8 |

ENCLOSED CONTROL PANEL

Painted Steel

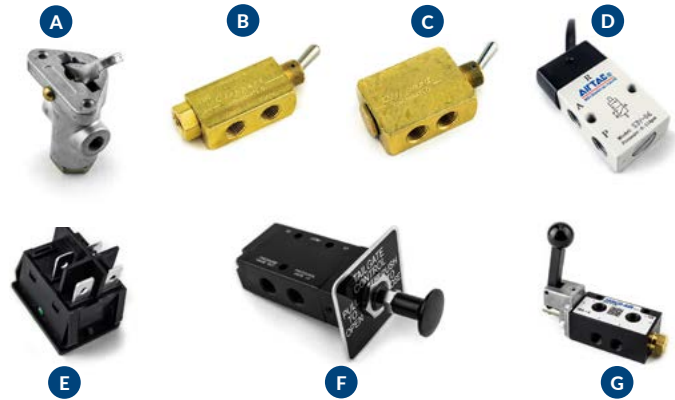


| TYPE | SKU |
|-------------------------|-----------------|
| 12" Tall 5 Switch Panel | 325-101200-5-12 |
| 16" Tall 5 Switch Panel | 325-101200-5-16 |
| 12" Tall 6 Switch Panel | 325-101200-6-12 |
| 16" Tall 6 Switch Panel | 325-101200-6-16 |

CONTROL SWITCHES

ASSORTED TYPES

Air and Electric

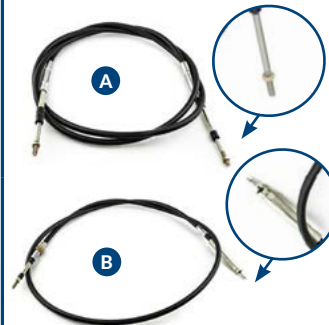


| TYPE | SKU |
|------------------------|-------------|
| A Toggle Switch | 331-6451000 |
| B MJTV3 Air Toggle | 331-MJTV3 |
| C MJTV4 Air Toggle | 331-MJTV4 |
| D Valve Switch (Valew) | 331-S3YO6T |
| E AGM (Electric) | 331-AGM |
| F 2-Way, Push Pull | 331-BAV10 |
| G 2-Way, Control Valve | 331-18HL4 |

MANUAL CONTROLS & CABLES

CONTROL CABLES

Push-Pull Type



| TYPE | SKU |
|----------------|----------------|
| A 1/4" x 84" | 323-5203BBU084 |
| A 1/4" x 96" | 323-5203BBU096 |
| A 5/16" x 72" | 323-6203BBU072 |
| A 5/16" x 84" | 323-6203BBU084 |
| A 5/16" x 96" | 323-6203BBU096 |
| A 5/16" x 108" | 323-6203BBU108 |
| A 5/16" x 120" | 323-6203BBU120 |
| B 108" | 323-62RVB |

CABLE CLEVIS



| TYPE | SKU |
|---------------------------|------------------|
| 1/4" Clevis Kit | 3231-B27082AZKT |
| 5/16" Clevis Kit | 3231-B27083AZKT |
| Valve Clevis, 5/16" Cable | 3231-B27086A56ZY |

CONTROL LEVER

Heavy Duty



| TYPE | SKU |
|-----------------|-------------|
| For 1/4" Cable | 323-HDCL352 |
| For 5/16" Cable | 323-HDCL362 |

REMOTE CONTROL LEVER

Used With 62RBV Cable



| TYPE | SKU |
|------------|----------------------|
| Left Hand | 323-FA-08-5917-01-SH |
| Right Hand | 323-FA-08-5917-02-SH |
| Middle | 323-PTK0003MIDRVCSH |

AIR HOSE FITTINGS

DOT Approved



| TYPE | DESCRIPTION | SKU | |
|------|-------------------|------------------------|--------------------|
| A | Male Swivel Elbow | 1/4" Hose x 1/8" MPT | 32604-NE90M25P125S |
| | Male Swivel Elbow | 1/4" Hose x 1/4" MPT | 32604-NE90M25P25S |
| | Male Swivel Elbow | 6mm Hose x 1/4" Thread | 32604ME-6mmx4 |
| B | Male Run Tee | 1/4" Hose x 1/8" MPT | 32602-NRT0M25P125S |
| C | Male Branch Tee | 1/4" Hose x 1/8" MPT | 32601-NBT0M25P125S |
| D | Male Connector | 1/4" Hose x 1/8" MPT | 32603-NC00M25P125 |
| | Male Connector | 1/4" Hose x 1/4" MPT | 32603-NC00M25P25 |
| E | Straight Union | 1/4" Hose x 1/4" Hose | 32605SU-025 |

QUICK EXHAUST VALVES



| DESCRIPTION | SKU |
|-----------------------------------|---------------|
| A 1/8" Quick Exhaust Valve | 1911-QEV-125 |
| A 1/4" Quick Exhaust Valve | 1911-QEV-025 |
| B 1/4" Quick Exhaust Valve | 1911-QEV-3800 |
| C 1/8" NPT Straight Quick Exhaust | 1911-QEV-STR |

AIR CYLINDERS

2" & 3" BORE
Clevis and Pivot Mounted



| TYPE | SKU |
|----------------|----------|
| 2" BORE | |
| 2" Stroke | 321-2x2 |
| 4" Stroke | 321-2x4 |
| 6" Stroke | 321-2x6 |
| 3" BORE | |
| 6" Stroke | 321-3x6 |
| 8" Stroke | 321-3x8 |
| 10" Stroke | 321-3x10 |

CYLINDER CLEVIS



| CYLINDER TYPE | SKU |
|---------------|--------------|
| 2" Rod Clevis | 3211-D-231-3 |
| 3" Rod Clevis | 3211-8314A |

CYLINDER PIVOT



| CYLINDER TYPE | SKU |
|-------------------|----------------|
| 2" Cylinder Pivot | 3211-D-620 |
| 3" Cylinder Pivot | 3211-D-13512-A |

MISC FITTINGS

AIR REGULATOR



| TYPE | SKU |
|------|------------|
| 1/4" | 162-110147 |

PRESSURE PROTECTION VALVE



| TYPE | SKU |
|------|-------------|
| 1/4" | 333-6451005 |

STRAINER FITTINGS

For Solenoid Valves



| TYPE | SKU |
|---------------------------------|----------------|
| A Tee Jet Adaptor, 1/4" | 32615-4676-1/4 |
| B Tee Jet Strainer w/ SS Screen | 32615-5053 |
| C Tee Jet Body, 1/4" | 32615-CP1322 |

AIR TUBING

By the Foot, Other Colors Available



| TYPE | SKU |
|------|--------------|
| 1/4" | 32608-PU4BLK |

PETCOCK



| TYPE | SKU |
|------|---------------|
| 1/4" | 32617-PETCOCK |

HEX NIPPLES



| TYPE | SKU |
|-----------------------------|-----------|
| 1/8" x 1/8" Nipple | 326070202 |
| 1/4" x 1/8" Reducing Nipple | 326070402 |
| 1/4" x 1/4" Nipple | 326070404 |

PIPE PLUGS



| TYPE | SKU |
|------|-----------|
| 1/8" | 32609-125 |
| 1/4" | 32609-025 |

TANK SITE GAUGE

For Viewing Tank Water Level



| TYPE | SKU |
|---|----------------|
| A 5/8" (OD) Tubing - Per Foot | 32608-SITETUBE |
| B 5/8" x 1/2" Site Gauge Fitting w/ Ferrule | 32616-TANKFIT |
| C 5/8" Site Gauge Fitting Insert | 32616-2030x10 |

Hose

Other Hose Sizes Available Upon Request

WATER HOSE

For Hose Reels



| TYPE | SKU |
|-----------|-------------|
| 1" x 50' | 301-100x50 |
| 1" x 100' | 301-100x100 |
| 1½" x 50' | 301-150x50A |

DOUBLE JACKET MILL HOSE

For Filling



| TYPE | SKU |
|------------------|------------|
| 2" x 50'-400psi | 304-200x50 |
| 2½" x 25'-400psi | 304-250x25 |
| 2½" x 50'-400psi | 304-250x50 |

DOUBLE JACKET MILL HOSE

For Jetting



| TYPE | SKU |
|---------------------|--------------|
| 1½" x 50'-300psi | 308-150x50 |
| 2½" x 50'-300psi | 308-250x50 |
| 1½" x 50' HD-800psi | 308-150x50HD |

SUCTION HOSE

For Suction Loading



| TYPE | SKU |
|----------|------------|
| 3" x 15' | 303-300x15 |
| 3" x 25' | 303-300x25 |

Nozzles

STRAIGHT STREAM

Brass



| TYPE | THREAD | SKU |
|------|--------|---------|
| 1½" | NH/NST | 311-150 |
| 2½" | NH/NST | 311-250 |

JET NOZZLES

Brass



| TYPE | SKU |
|------|-------------|
| ¾" | 313-075x250 |
| ¾" | 313-075x400 |
| ¾" | 313-050x400 |
| ¾" | 313-075 |

FOG NOZZLE

Brass, Adjustable



| TYPE | THREAD | SKU |
|------|--------|-----------|
| 1" | NPSH | 312-100BR |
| 1½" | NPSH | 312-150BR |
| 2½" | NPSH | 312-250BR |

FOG NOZZLE

Plastic, Adjustable



| TYPE | THREAD | SKU |
|------|--------|------------|
| 1" | NPSH | 312-100 |
| 1½" | NPSH | 312-150 |
| 2" | NPSH | 312-200 |
| 1" | NST | 312-1.0NST |

Hose Clamps

DIXON DOUBLE BOLT

Sized by Hose Outer Diameter



| TYPE | SKU |
|------------------|----------|
| ¾" to 1 1/8" | 305-D400 |
| 1 1/8" to 1 3/8" | 305-D431 |
| 1 3/8" to 1 7/8" | 305-D525 |
| 1 7/8" to 2 1/8" | 305-D600 |

T-BOLT CLAMP

Sized by Hose Outer Diameter



| TYPE | SKU |
|----------------|---------|
| 1.34" to 1.56" | 305-150 |
| 1.84" to 2.06" | 305-200 |
| 2.34" to 2.56" | 305-250 |
| 2.76" to 3.06" | 305-300 |
| 3.24" to 3.51" | 305-350 |
| 4.23" to 4.52" | 305-450 |

Strainer / Foot Valve

FOOT VALVE

Painted Malleable Iron



| TYPE | SKU |
|------------|-------------|
| 3" | 305-FTV300 |
| Repair Kit | 3051-FTVKIT |

SUCTION STRAINER

Stainless Steel



| TYPE | SKU |
|------|------------|
| 3" | 305-STR300 |

Hand Primers

PROTEK HAND PRIMER

Aluminum Body, Rubber Diaphragm



| TYPE | SKU |
|---------------|----------|
| DP5 Primer | 327-DP5 |
| DP5 Diaphragm | 3271-DP5 |

GUZZLER HAND PRIMER

Delrin Body, Buna Diaphragm



| TYPE | SKU |
|----------------|------------------|
| Guzzler Primer | 327-GH0400 |
| Repair Kit | 3271-SK-N4NOX-11 |

Hydrant Tools

HYDRANT ADAPTOR

Brass



| TYPE | THREAD | SKU |
|------|-----------|-----------|
| 2½" | FNST×MNPT | 306-ADAPT |
| 2½" | FPHX×MNPT | 306-PHX |

HYDRANT WRENCH

Steel



| TYPE | SKU |
|------------|------------|
| Adjustable | 306-WRENCH |

HOSE REEL KITS



| TYPE | 1" x 50' SKU | 1½" x 50' SKU | QTY |
|-----------------------------|---------------------|-------------------|-------|
| HOSE REEL KIT | 291-1175-6-50-KIT | 291-1185-1124-KIT | 1 KIT |
| A Manual Hose Reel | 291-1175-6-50 | 291-1185-1124 | 1 |
| B Water Hose | 301-100x50 | 301-150x50A | 1 |
| C Jumper Hose | 301-HOSE100 | 301-HOSE150 | 1 |
| D 90° Street Elbow | 90° Swivel Included | 233-90150 | 1 |
| E Ball Valve | 183-100 | 183-150 | 1 |
| F Thread x Weld Nipple | 239-100 | 239-150 | 1 |
| G Thread x Hose Barb Nipple | 238-100 | 238-150 | 2 |
| H Dixon T-Bolt Clamp | 305-150 | 305-200 | 4 |
| I Plastic Fog Nozzle | 312-100 | 312-150 | 1 |



| TYPE | SKU | QTY |
|---------------------------------|---------------------------|-------|
| 1½" HOSE REEL KIT | 292-1185-1124-ASM-KIT-SVL | 1 KIT |
| A 1½" Manual Hose Reel | 292-1185-1124-ASM-SVL | 1 |
| B 1½" Water Hose 50' | 301-150x50A | 1 |
| C 1½" Jumper Hose | 301-HOSE150 | 1 |
| D 1½" Ball Valve | 183-150 | 1 |
| E 1½" Thread x Weld Nipple | 239-150 | 1 |
| F 1½" Thread x Hose Barb Nipple | 238-150 | 2 |
| G 1½" T-Bolt Clamp | 305-200 | 4 |
| H 1½" Plastic Fog Nozzle | 312-150 | 1 |
| I 304SS Full-Flow NPT Swivel | 294-8970-SVL | 1 |

COXREELS MANUAL REWIND HOSE REELS



| PART#: | HOSE SIZE | (A) | (B) | (C) | (D) | (E) | (LBS.) |
|---------------|---------------|---------|-----------|-----|----------|----------|--------|
| 291-1175-6-50 | 1" x 50' | 26-1/4" | 24-3/4" | 24" | 12-7/8" | 20-1/8" | 67 |
| 291-1185-1124 | 1-1/2" x 50' | 25" | 24-1/8" | 24" | 17-1/16" | 22-3/16" | 76 |
| 291-1185-2024 | 1-1/2" x 100' | 25" | 34-11/16" | 24" | 24-1/16" | 22-3/16" | 94 |

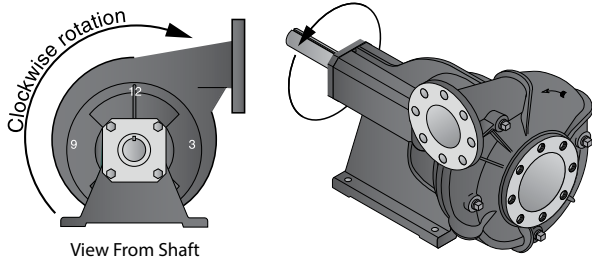
HOSE REEL PARTS



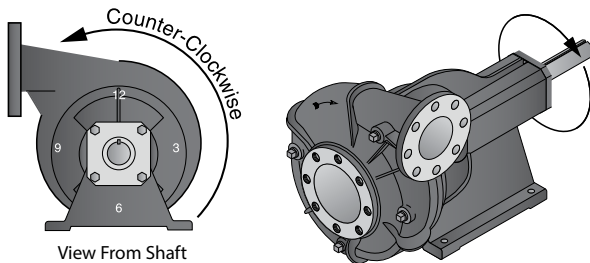
| TYPE | SKU |
|---------------------------------------|---------------|
| A 1½" Hose Reel Swivel (Rev D) | 294-8970 |
| B 1½" Reel Outer Swivel Plate (Rev D) | 294-8956 |
| C Bearing Assembly (Rev D) | 294-8954 |
| D Washer Bearing | 294-8960 |
| E Retaining Ring | 294-20252 |
| F Swivel O-Ring Kit | 294-8970-KIT |
| G Axle Assembly (Rev D) | 294-8962-1150 |
| H Reel Locking Pin | 294-20843 |
| I Crank Assembly | 294-8191 |

GENERAL PUMP INFORMATION

CLOCKWISE (CW)



COUNTER-CLOCKWISE (CCW)



CHECK PUMP ROTATION:

Centrifugal pumps come in Clockwise (CW) and Counterclockwise (CCW) configurations. CW pumps are used with automatic transmissions, while CCW pumps are used with manual transmissions. A pump running in the wrong direction will still pump liquids, however GPM and head will be a fraction of the published performance. Before a pump is put into operation, rotational direction must be checked to ensure proper performance of pump. Refer to illustration above.

LUBRICATION:

» **IMPORTANT:** Grease should be added to the bearing frame as required by daily and weekly routine inspections. Add only enough of a lithium-based NGLI No. 2 extra pressure ball bearing grease to coat each bearing, excess grease will cause bearings to run hot. Never run a pump without water, doing so will cause overheating and damage to internal parts. The liquid end of the pump requires no lubrication. Wear rings, packing rings, and models using a mechanical shaft seal are lubricated and cooled by the liquid being pumped.

STARTING A NEW MECHANICAL SEAL PUMP:

Adjustment or maintenance of a mechanical seal is normally not required. The seal is enclosed within the

WATER TRUCK PUMP SELECTOR:

Choosing which water truck pump you need can be a complicated process. We want to make it EASY. Scan here and we will help you to find out which of our pumps will work for you.



pump and is self-adjusting. Seal is cooled and lubricated by the liquid being pumped.

STARTING A NEW ROPE SEAL PUMP:

Loosen rope packing gland nuts and re-tighten finger tight. Once running, allow packing to leak liberally for a few moments, then tighten gland nuts one complete turn each until leakage is reduced to 40 to 60 drops per minute. Over-tightening of packing will cause damage to shaft and promote further leakage.

USING CABLE OR AIR SHIFT PTO:

» **IMPORTANT:** To avoid Transmission or PTO damage, only engage the PTO while the truck is standing still, NEVER while moving. DO NOT close spray heads under full pressure! Let the engine wind down with clutch disengaged before closing the spray head valves to avoid pump or spray head damage.

ROUTINE MAINTENANCE:

A well maintained pumping system will extend the life of the unit and require fewer repairs. This means less down time which can be very critical when a constant delivery of water is required. A routine maintenance and inspection schedule should be set up on a weekly, quarterly, and annual basis with records kept of these actions.

WEEKLY:

- **Vibration** – If excessive vibration is present, discontinue use to determine the cause and correct.
- **Noise** – Listen closely for unusual sounds that might indicate the unit is in distress.
- **Operating Temperature** – The surface of the pump bracket may reach temperatures as high as 150°F which is normal. If the surface temperature of the pump or driver is excessive, discontinue operation. Bearings will run hotter for a brief run-in period after packing which is normal, however worn bearings will cause excessive temperatures and need to be replaced.
- **Rope Seal** – After a short period of operation, verify that the rope packing box and gland are not hot. If heat is detected, loosen the gland nuts evenly until water begins to drip from the packing box. Water must not be streaming or spraying out. Verify cool operation periodically. Adjust gland nuts **EVENLY** as necessary until 40-60 drops per minute is achieved. If packing has been tightened to the limit of the packing gland travel, additional packing may be necessary.
- **Mechanical Seal** – There should be no leakage from a mechanical seal, if there is it needs to be replaced.

QUARTERLY:

- **Inspect Pump and Piping Connections** – Check all system piping connections for leakage. Verify there is no pipe misalignment to the pump which will put excessive strain on the volute and can cause damage to internal components of both the pump and motor. Adjust pipe supports as needed to correct.
- **Flange Connections** – For flange connections, misalignment can be checked by shutting down the pump and removing the pipe flange bolts on the pump connections. If the mating flanges come apart or shift, there is pressure at the connection and adjustments should be made to the piping supports until flanges mate directly without force. This procedure can be done throughout the piping system.
- **Check Pump Foundation Integrity** – Ensure the foundation is intact and all hold-down bolts are secure.
- **Lubricate Bearings** – Check for adequate lubrication of all bearings and add as needed.

- **Check Seals** – Inspect packing or mechanical seal for possible replacement. Examine shaft sleeve if present for wear and replace if necessary.
- **Inspect Pumping Plant** – Look for signs of wear and replace/repair worn parts as necessary.
- **Check Bearings** – Repack, grease or replace as necessary.

ANNUALLY:

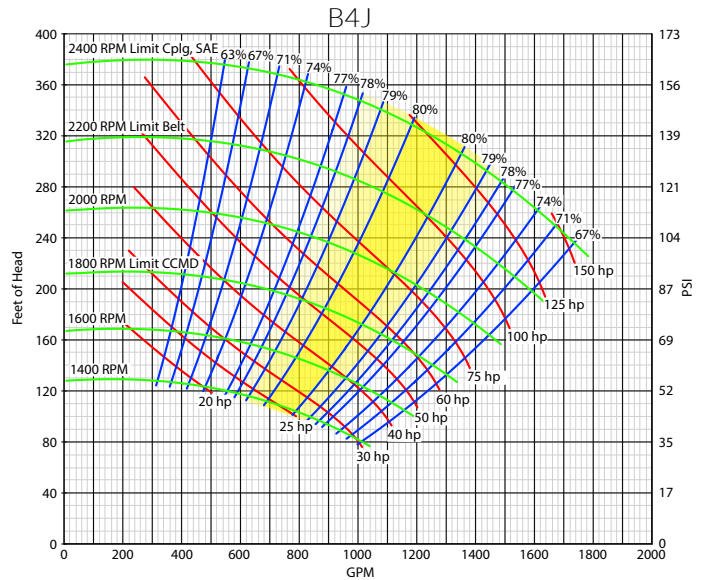
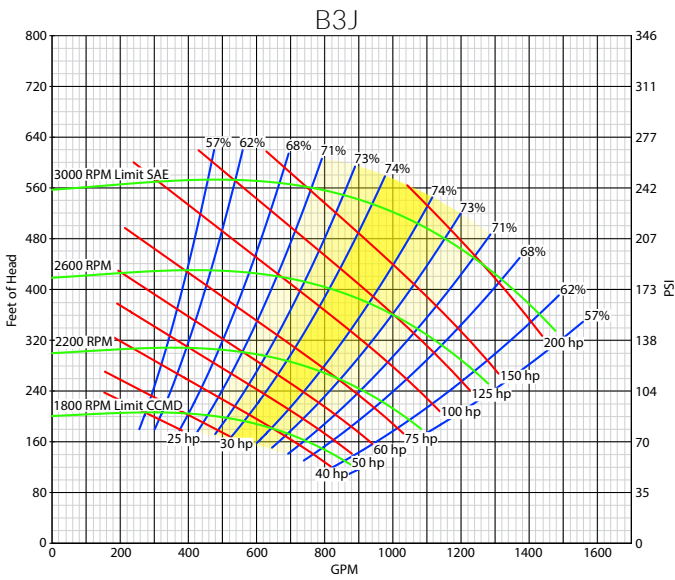
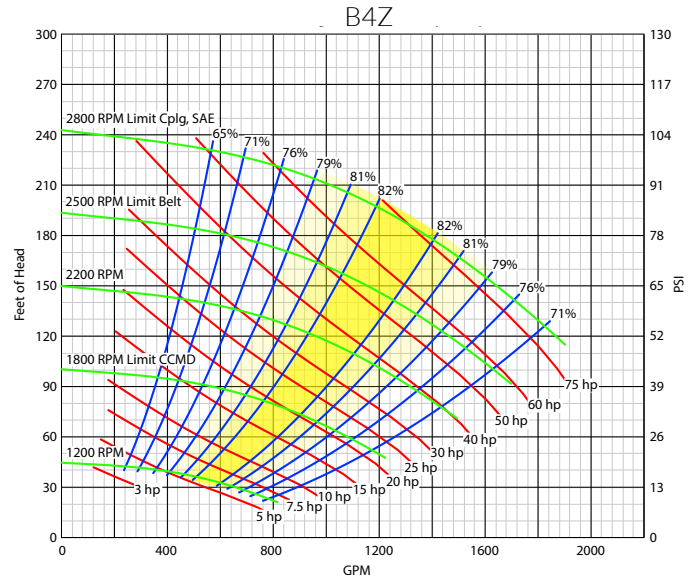
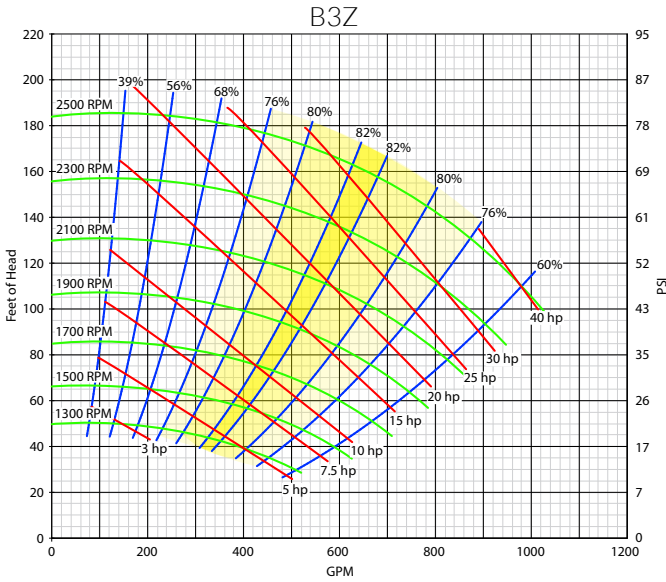
- **Check Bearings** – Repack, grease or replace as necessary.
- **Inspect Internal Parts** – Look for signs of wear on all valves, screens, gaskets, diaphragms etc. Inspect impeller condition, eye clearance, volute case and seal chamber for signs of excessive wear or corrosion.

WINTERIZING:

The following storage procedures should be observed when a pump will be out of service for more than a month.

- **Clean** – Remove exterior dirt, grime or any substance that may trap moisture. Prime exposed metal and repaint if necessary.
- **Flush** – Flush suction and discharge lines. Check for leaks at this time and replace any worn gaskets.
- **Lubricate** – All bearings and seals.
- **Dry** – Dry the pump and if possible, keep unit clean and dry during storage period to guard against corrosion.
- **Seal** – Seal all open ports to keep out foreign objects such as insects, rodents, dust and dirt.
- **Shelter** – Shelter pump from the elements when possible.
- **Rotate** – Turn the driver shaft periodically to prevent freeze-up of internal components.

PUMP PERFORMANCE CURVES

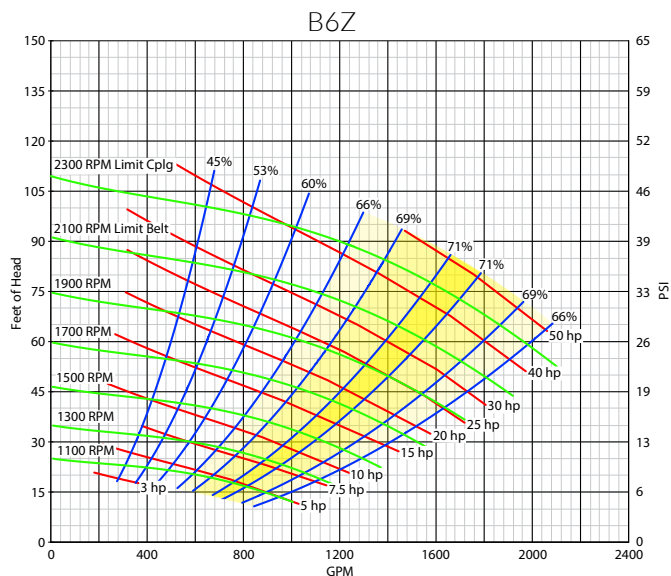


HOW TO READ A PUMP CURVE

These pump performance curves plot flow rate (GPM) on the horizontal plane, pressure (listed in Feet of Head and PSI) on the vertical plane, pump operating efficiency percentage in blue, variable RPM flow rate/pressure curves in green, and the required horsepower in red.

Given operating RPM and horsepower available, the yellow bands on the graph show where the pump operates at maximum efficiency as well as the corresponding PSI and GPM produced at that RPM. The listed horsepower ratings are the minimum required to reach that section of the graph. Anything above the red line should be sufficient, anything below may fall short of the listed performance.

All of these curves are graphed for fresh water only. You can convert Feet of Head into PSI for fresh water by multiplying it by 0.433, or vice-versa by multiplying PSI x 2.31. Other liquids will require multiplying the above numbers by that liquid's Specific Gravity.



WE ARE PROUD TO ANNOUNCE OUR PARTNERSHIP WITH



HIGH PRESSURE HYDRAULICS
PUMPS | CYLINDERS | HIGH FORCE TOOLS

ELECTRIC PUMPS



Two Stage Hydraulic System
2K-10K PSI Electric Pumps
w/ Pressure Relief &
Custom Options.

HAND PUMPS



10K-40K PSI, 21-427 in³
Reservoir Capacity, Lightweight
Aluminum or Steel Hand Pumps
w/ High Flow Options.

AIR OVER HYDRAULIC PUMPS



3K-10K PSI, Portable
Air-Over-Hydraulic Pumps w/
Single or Double Acting
Manifold & Pressure Relief
Valve Options.

5-30 TON BOTTLE JACKS



Up to 7" Stroke Standard
Profile Bottle Jack, Available
In Multiple Stroke Sizes To
Suit Various needs.

TOOLS



4-30 Ton Pullers, 1-25 Ton
Spreaders, 2-10 Ton Toe Jacks,
5-30 Ton Bottle Jacks, 10-20 Ton
Nut Splitters Options.

TORQUE WRENCHES



Square Drive Torque
Wrench, 308-5480 ft-lbs
Torque. Made in the USA!

CUSTOM PUMPS & CYLINDERS



Custom Pumps & Cylinders
Built To Meet Any Dimension
Requirements, Lifting Capacity
& Flow Rates.

MAINTENANCE KITS



This Kit Includes a
Snap-Together Design, Durable
Components, a 10K PSI Pump,
a Portable Case, & Comes in 4 &
10 Ton Capacities.

**ORDER THESE PARTS AND MORE AT
POWERXINTERNATIONAL.COM OR CALL 414-988-6202**



WE ARE PROUD TO ANNOUNCE OUR PARTNERSHIP WITH



QUICK CONNECT COUPLER SET
Flat Face, NPT Thread



| TYPE | SKU |
|------|--------------|
| 1/2" | FF12-08N-SET |

QUICK DISCONNECT COUPLER SET
Stainless Steel, NPT



| TYPE | SKU |
|-----------------|---------------|
| 1/2" ISO 7241-B | BSS12-08N-SET |

QUICK DISCONNECT COUPLER SET
Wet-Line Wing Nut



| TYPE | SKU |
|------------|--------------|
| 1-1/2" NPT | 4100-24N-SET |

QUICK DISCONNECT COUPLER SET
10,000 PSI High Pressure



| TYPE | SKU |
|------------------|---------------|
| 3/8" TC-371 FD35 | BSS12-08N-SET |

HYDRAFORCE SOLENOID VALVE COIL
HydraForce, Metri-Pack 150



| TYPE | SKU |
|-------------------|---------|
| 12v DC, 10 Series | 4303512 |

MANIFOLD VALVE BODY HOUSING
3-Way, #6 SAE Ports, Size 10



| TYPE | SKU |
|------------|---------|
| Hydraforce | 7024360 |

HYDRAULIC MULTIPLIER KIT
with Couplers and Switch Box Control



| TYPE | SKU |
|--------------------------|------------|
| 3 Circuit Selector Valve | HM3-08-SBC |

SOLENOID VALVE
Selector/Diverter



| TYPE | SKU |
|----------------|----------|
| 13 GPM, 12v DC | DV50-08S |

MOTOR SPOOL CARTRIDGE VALVE
Proportional Solenoid Operated



| TYPE | SKU |
|-------------------|-----------------|
| 4-Way, 3-Position | SP08-47D-0-N-00 |

DIRECTIONAL CONTROL VALVE
5 Spool, 11 GPM



| TYPE | SKU |
|-----------|----------|
| Monoblock | P40G-5A1 |

VARIABLE FLOW CONTROL VALVE
Adjustable w/ Relief



| TYPE | SKU |
|--------------------|-----------|
| 0-16 GPM, 1/2" NPT | FCR51-08N |

THIRD FUNCTION VALVE KIT
Kubota L2501, L3200, L3301, and L3901



| TYPE | SKU |
|--------------------------|------|
| Third Function Valve Kit | TFK2 |

**ORDER THESE PARTS AND MORE AT
SUMMIT-HYDRAULICS.COM OR CALL 602-806-7173**





ACCESSTRUCKPARTS

2757



OFFICE HOURS (MOUNTAIN STANDARD)
MON-FRIDAY 7:00AM - 4:30PM
SAT & SUN CLOSED

**2757 E CHAMBERS ST
PHOENIX, AZ 85040
602-437-6948**

SALES@ACCESSTRUCKPARTS.COM

ACCESSTRUCKPARTS.COM