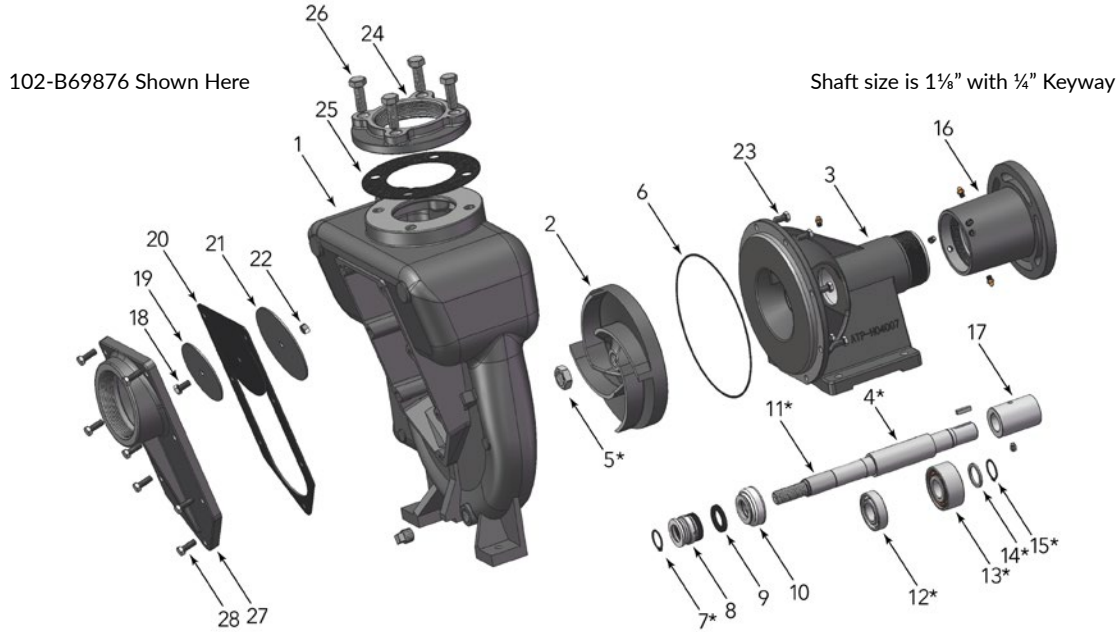


PARTS BREAKDOWN
B4ZRKS Self Priming Pump (CW)



* Items included in shaft kit

PARTS							
#	NAME	SKU	ALT SKU	#	NAME	SKU	ALT SKU
1	Volute, Self Priming	113-H02505	H02505	15*	Retaining Ring	116-S23010	S23010
2	Impeller, CW	112-M08095	M08095	16	Hydraulic Adaptor Kit - Complete	115-B07779	B07779
3	Pump Frame, Mechanical Seal	114-H04007	H04007	17	Shaft Coupling (7/8" Splined)	116-S30636	S30636
4*	Shaft Kit, Keyed	111-B80703	B80703	18	Capscrew, Hex 3/8-16 x 3/4"	116-S26824	S26824
5*	Impeller Lock Nut (CW)	116-M10220	M10220	19	Clack Weight	116-S14842	S14842
6	Volute Gasket	116-S05126	S05126	20	Clack Gasket	116-L04119	L04119
7*	External Retaining Ring	116-S23009	S23009	21	Clack Weight	116-S15325	S15325
8	Mechanical Seal	116-S32690	S32690	22	Pump Nut, 3/8-16	116-S23103	S23103
9	Water Slinger	116-S12260	S12260	23	Capscrew, Hex 3/8-16 x 1" (8 Req.)	116-S26826	S26826
10	Inner Bearing Cap	116-S19033	S19033	24	Companion Flange	116-S15933	S15933
11*	Shaft Sleeve (For Rope & Mech)	116-S39242	S39242	25	Pump Flange Gasket	116-S10364	S10364
12*	Ball Bearing	116-S13270	S13270	26	Capscrew, Hex 3/8-11 x 1 1/4"	116-S27001	S27001
13*	Ball Bearing	116-S13271	S13270	27	Pump Cover	116-L04108	L04108
14*	Shaft Thrust Ring	116-S29218	S29218	28	Capscrew, Hex 3/8-16 x 1 1/4" (7 Req.)	116-S26828	S26828

COMPLETE PUMPS	
Pump with Hydraulic Adaptor	102-B69876
Pump without Hydraulic Adaptor	102-B69880