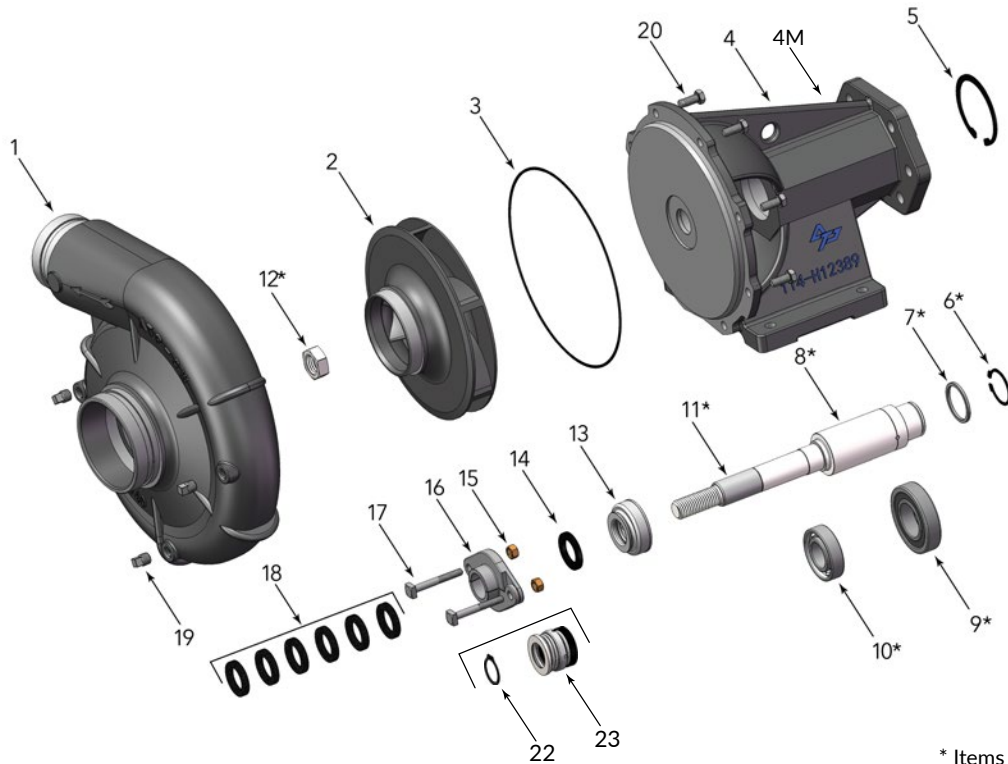


PARTS BREAKDOWN
B3Z SAE B Hydraulic Mount Pump



* Items included in shaft kit

ROPE SEAL PARTS							
#	NAME	SKU	ALT SKU	#	NAME	SKU	ALT SKU
1	Volute, B3Z, CW, Groove	113-H04040	H04040	11*	Pump Shaft Sleeve, B3Z	116-S05127	S05127
2	Impeller, B3Z, CW	112-M02153	M02153	12*	Pump Lock Nut, B3Z, CW	116-M10220	M10220
3	Pump O-Ring, B3Z	116-M14943	M14943	13	Inner Bearing Cap	116-S19033	S19033
4	SAE B Rope Seal Bearing Frame	114-H12389	H12389	14	Pump Slinger	116-S12260	S12260
5	Pump Retaining Ring	116-S23025	S23025	15	Gland Nut, B3Z	116-S23343	S23343
6*	Shaft Retaining Ring	116-S23010	S23010	16	Pump Packing Gland Set	116-B82468	B82468
7*	Shaft Thrust Ring	116-S29218	S29218	17	Gland Bolt, B3Z	116-S23762	S23762
8*	Shaft Kit, Female Spline, 7/8"-13 Tooth	111-M80880	M80880	18	Pump Rope Packing	116-S14022	S14022
9*	Pump Bearing, Rear	116-S13271	S13271	19	Pipe Plug, 1/4", NPT	116-S23715	S23715
10*	Pump Bearing, Front	116-S13270	S13270	20	Capscrew, B3Z, 3/8-16x1", Hex	116-S26826	S26826

MECH SEAL PARTS			
#	NAME	SKU	ALT SKU
4M	SAE B Mech Seal Bearing Frame	114-M98321	M98321
22	Retaining Ring	116-S23009	S23009
23	Mechanical Seal	116-S32690	S32690

COMPLETE PUMPS	
B3Z-SAE B ROPE Seal Hydraulic Mount Pump (CW Groove)	101-B81203
B3Z-SAE B MECH Seal Hydraulic Mount Pump (CW Groove)	101-B81223

