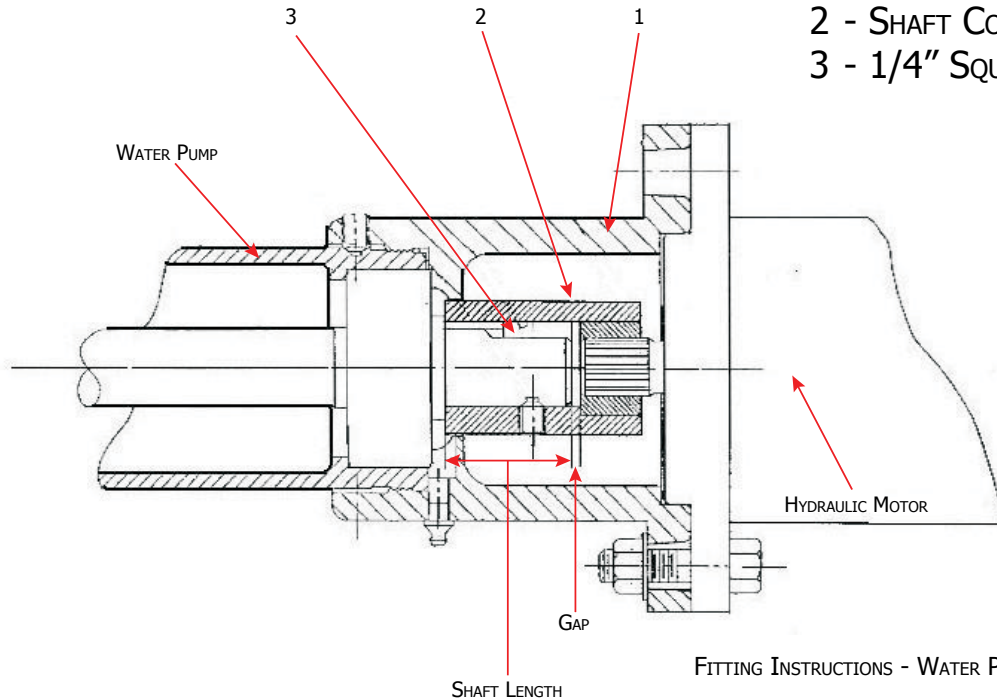


HYDRAULIC ADAPTOR FITTING DIAGRAM

- 1 - HYDRAULIC MOTOR ADAPTER
- 2 - SHAFT COUPLING
- 3 - 1/4" SQUARE X 1" LONG KEY



FITTING INSTRUCTIONS - WATER PUMP ADAPTER FOR HYDRAULIC MOTOR

- UNSCREW AND REMOVE OUTER BEARING CAP FROM WATER PUMP
- CUT SHAFT LENGTH TO 1 13/16" OR 46MM (GAP 3/32" OR 2.4MM)
- ASSEMBLE COUPLING ON WATER PUMP SHAFT AND TIGHTEN SET SCREW
- SCREW HYDRAULIC ADAPTER ONTO WATER PUMP AND TIGHTEN SET SCREWS

NOTE: USE ANTI SEIZE COMPOUND ON ALL JOINTS